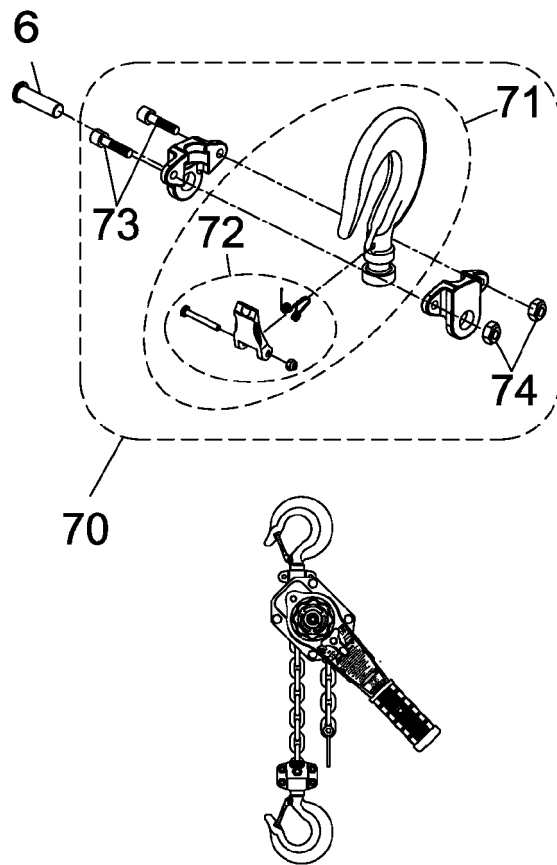
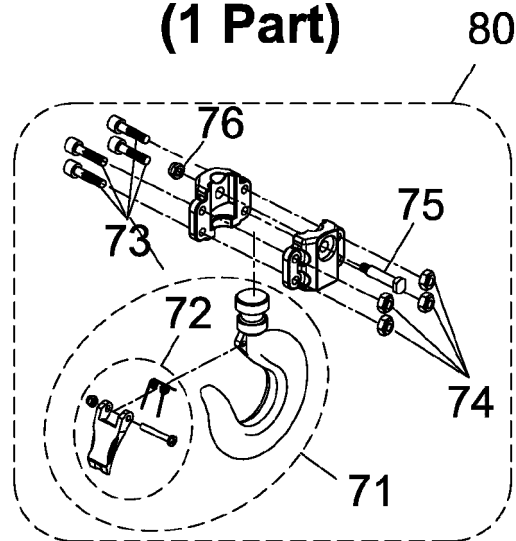


#	X5L02250 (1 Part)	X5L03528 (1 Part)	X5L07056 (1 Part)	X5L14000 (2 Part)	X5L20000 (3 Part)
1	P-L02250-1	P-L03528-1		P-L07056-1	
*2	P-L02250-2	P-L03528-2		P-L07056-2	
3	P-L02250-3	P-L03528-3		P-L07056-3	
4	P-L02250-4	P-L03528-4		P-L07056-4	
5	P-L02250-5	P-L03528-5		P-L07056-5	
6	P-L02250-6	P-L03528-6		P-L07056-6	
7	C5.7H17Z	C7.1H20Z		C10H28Z	
8	P-L02250-8	P-L03528-8		P-L07056-8	
9	P-L02250-9	P-L03528-9		P-L07056-9	
10	P-L02250-10	P-L03528-10		P-L07056-10	
11	P-L02250-11	P-L03528-11		P-L07056-11	
12	P-L02250-12	P-L03528-12		P-L07056-12	
13	P-L02250-13	P-L03528-13		P-L07056-13	
14	P-M8 WASHER LOCK				
15	P-M8 NUT ACORN				
16	P-L02250-16	P-L03528-16		P-L07056-16	
*17	P-L02250-17			P-L07056-17	
18	P-L02250-18			P-L07056-18	
19	P-L02250-19			P-L07056-19	
*20	P-L02250-20			P-L07056-20	
21	P-L02250-21	P-L03528-21		P-L07056-21	
22	P-L02250-22	P-L03528-22		P-L07056-22	
22C	P-L02250-22C	P-L03528-22C		P-L07056-22C	
22CL	P-L02250-22CL				
23	P-L02250-23			P-L07056-23	
24	P-L02250-24			P-L07056-24	
25	P-L02250-25			P-L07056-25	
26	P-L02250-26	P-L03528-26		P-L07056-26	
27	P-L02250-27	P-L03528-27		P-L07056-27	
28	P-L02250-28			P-L07056-28	
29	P-M6X12 HEXHD			P-M8X12 HEXHD	
30	P-M6 WASHER LOCK			P-M8 WASHER LOCK	
31	P-M6 NUT HEX			P-M8 NUT HEX	
32	P-L02250-32			P-L07056-32	
33	P-L02250-33			P-L07056-33	
33L	P-L02250-33L			P-L07056-33L	
34	P-L02250-34			P-L07056-34	
35	P-L02250-35			P-L07056-35	
*36	P-M8 NUT SLOTTED-9.5			P-M10 NUT SLOTTED-12	
*37	P-M1.5X16 COTTER			P-M2X20 COTTER	
38	P-NPL-X5L02250	P-NPL-X5L03528-	P-NPL-X5L07056	P-NPL-X5L14000	P-NPL-X5L20000
39	P-M2.5X6 SCREW DRIVE				

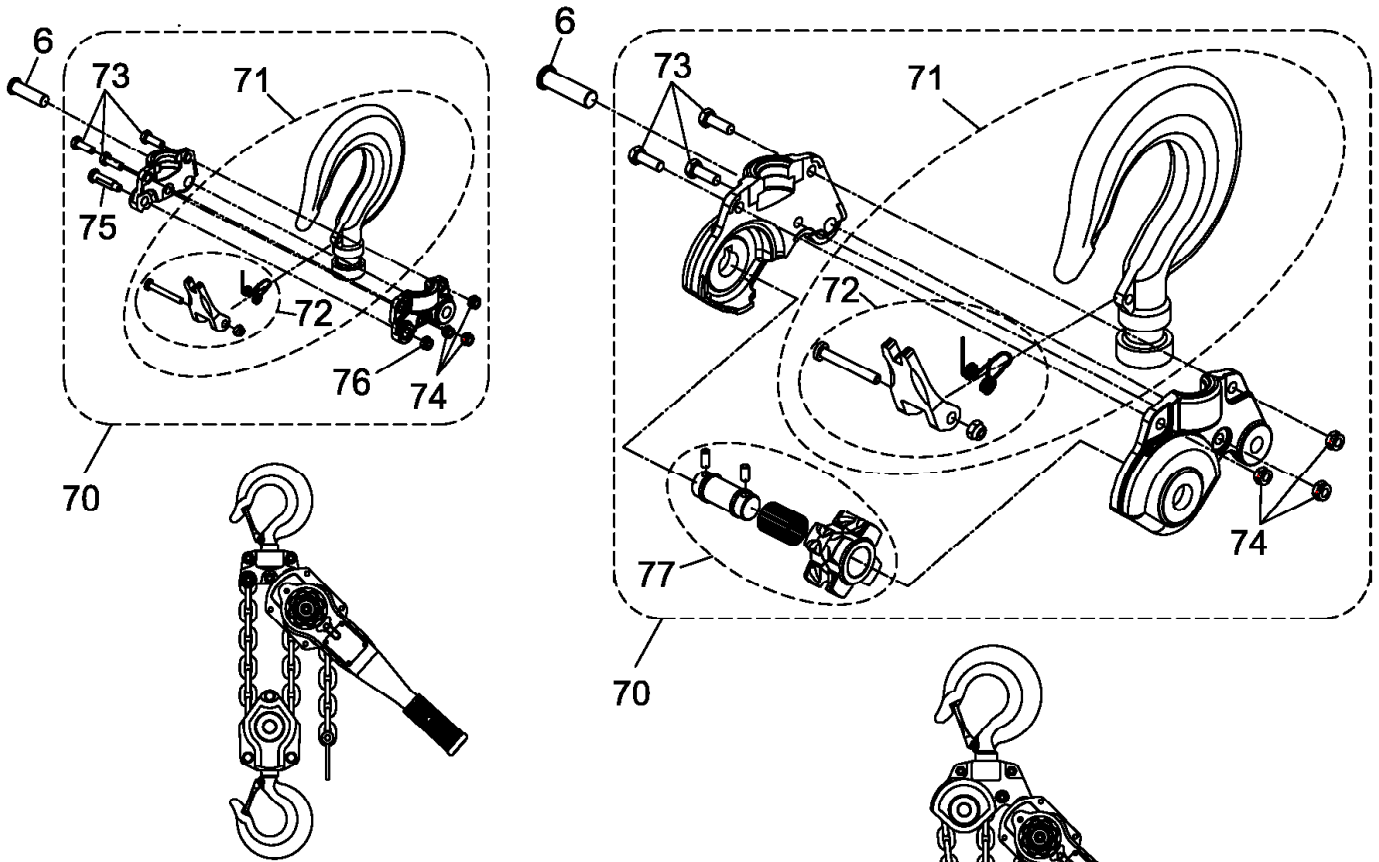
* Recommended Spare Part



(1 Part)

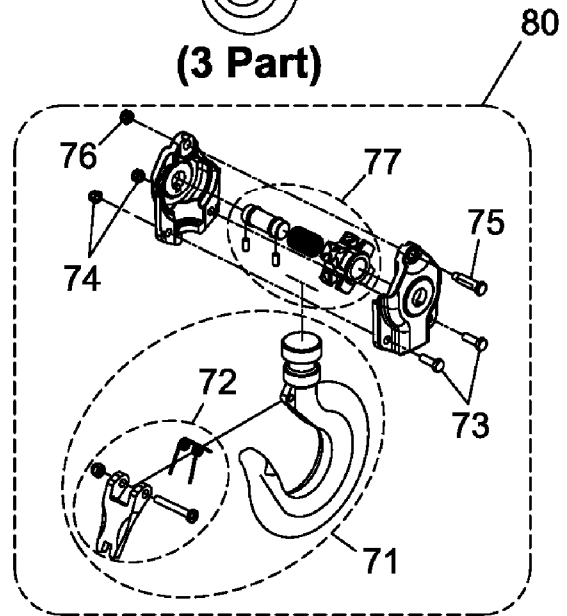
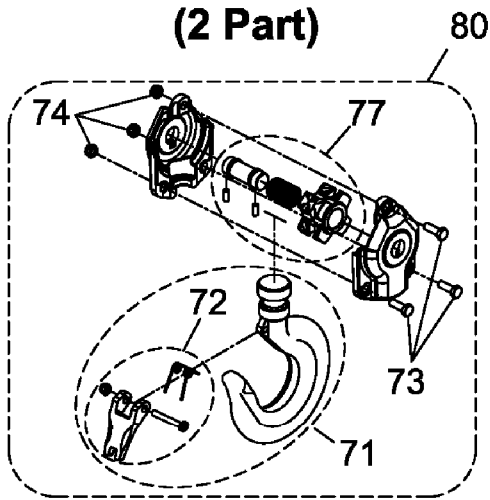


	X5 02250 (1 Part)	X5 03528 (1 Part)	X5 07056 (1 Part)
70	P-L02250-70	P-L03528-70	P-L07056-70
*71	P-L02250-71	P-L03528-71	P-L07056-71
*72	P-L02250-72	P-L03528-72	P-L07056-72
73	P-M5X18 CSKHD	P-M6X22 CSKHD	
74	P-M5 NUT LOCK	P-M6 NUT LOCK	P-M6 NUT LOCK
75	P-L02250-75	P-L03528-75	P-L07056-75
76	P-M6 NUT LOCK	P-M8 NUT LOCK	P-M10 NUT LOCK
80	P-L02250-80	P-L03528-80	P-L07056-80
* Recommended Spare Part			



(2 Part)

(3 Part)



	X5L14000 (2 Part)	X5L20000 (3 Part)
70	P-L14000-70	P-L20000-70
71	P-L14000-71	P-L20000-71
*72	P-L14000-72	P-L20000-72
73	P-M10X30 HEXHD	P-M10X35 HEXHD
74	P-M10 NUT LOCK	P-M10 NUT LOCK
75	P-L07056-75	P-L07056-75
76	P-M10 NUT LOCK	P-M10 NUT LOCK
77	P-L14000-77	P-L14000-77
80	P-L14000-80	P-L20000-80

* Recommended Spare Part