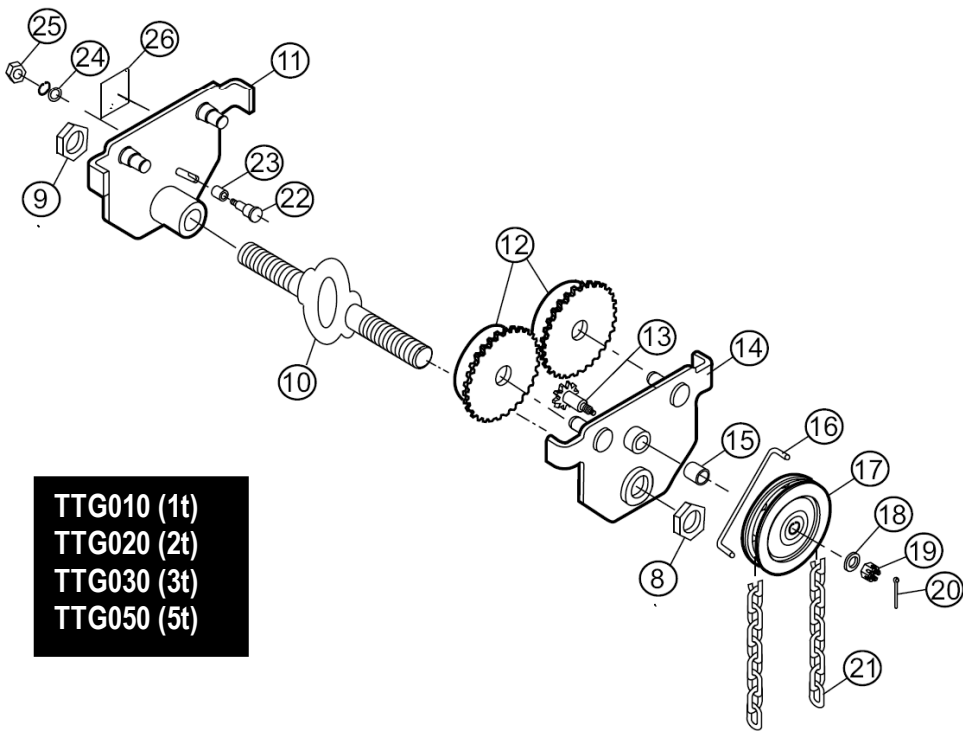


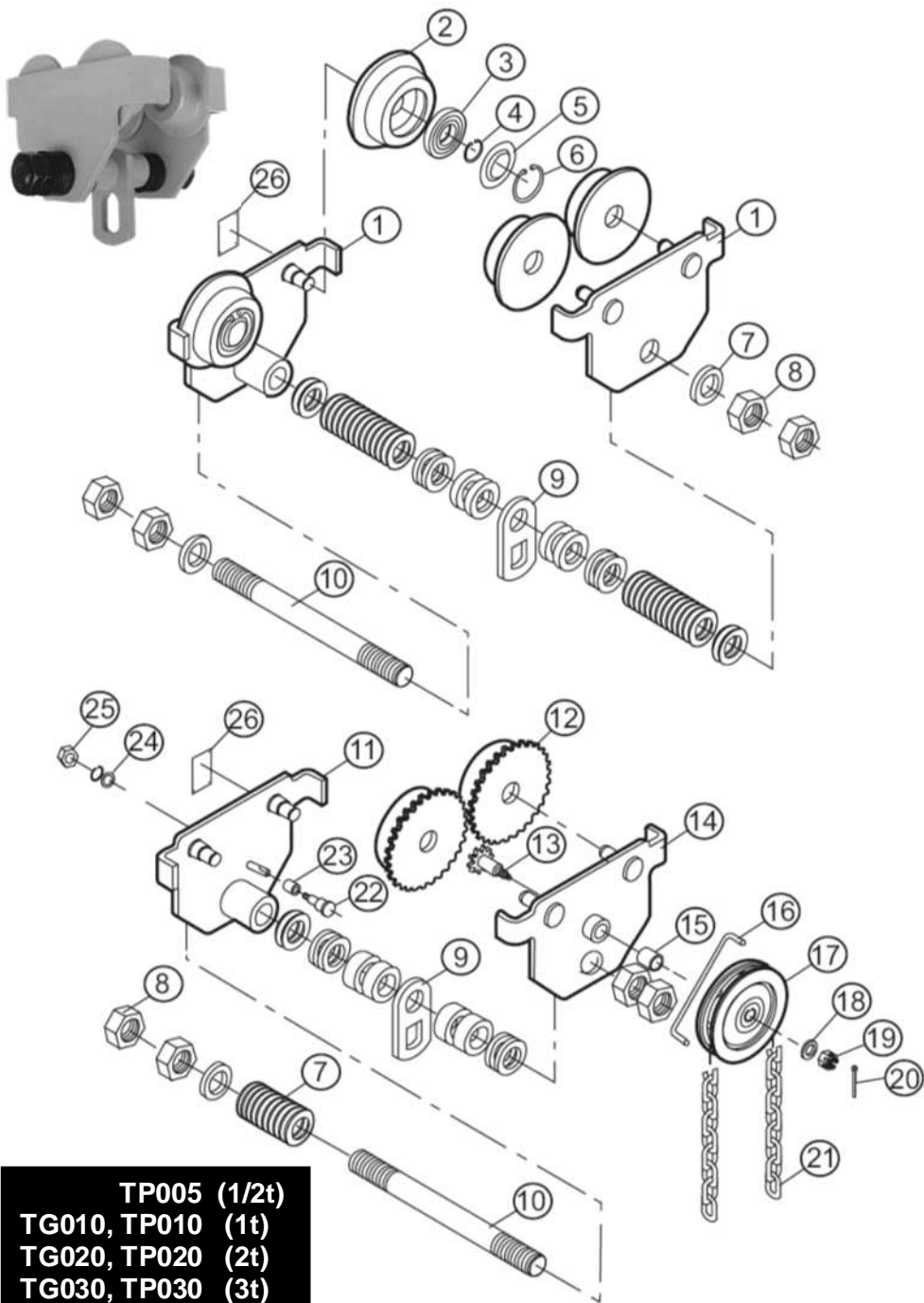
TTP005 (1/2t)
TTP010 (1t)
TTP020 (2t)
TTP030 (3t)
TTP050 (5t)



TTG010 (1t)
TTG020 (2t)
TTG030 (3t)
TTG050 (5t)

	TTP005	TTP010	TTP020	TTP030	TTP050
#	(1/2t)	(1t)	(2t)	(3t)	(5t)
1	P-TTP005-1	P-TTP010-1	P-TTP020-1	P-TTP030-1	P-TTP050-1
2	P-TTP005-2	P-TTP010-2	P-TTP020-2	P-TTP030-2	P-TTP050-2
3	P-TTP005-3	P-TTP010-3	P-TTP020-3	P-TTP030-3	P-TTP050-3
4	P-TTP005-4	P-TTP010-4	P-TTP020-4	P-TTP030-4	P-TTP050-4
5	P-TTP005-5	P-TTP010-5	P-TTP020-5	P-TTP030-5	P-TTP050-5
6	P-TTP005-6	P-TTP010-6	P-TTP020-6	P-TTP030-6	P-TTP050-6
7	P-TTP005-7	P-TTP010-7	P-TTP020-7	P-TTP030-7	P-TTP050-7
8	P-TTP005-8	P-TTP010-8	P-TTP020-8	P-TTP030-8	P-TTP050-8
9	P-TTP005-9	P-TTP010-9	P-TTP020-9	P-TTP030-9	P-TTP050-9
10	P-TTP005-10	P-TTP010-10	P-TTP020-10	P-TTP030-10	P-TTP050-10
26	P-NPL-TPG005	P-NPL-TPG010	P-NPL-TPG020	P-NPL-TPG030	P-NPL-TPG050

	TTG010	TTG020	TTG030	TTG050
#	(1t)	(2t)	(3t)	(5t)
2	P-TTP010-2	P-TTP020-2	P-TTP030-2	P-TTP050-2
3	P-TTP010-3	P-TTP020-3	P-TTP030-3	P-TTP050-3
4	P-TTP010-4	P-TTP020-4	P-TTP030-4	P-TTP050-4
5	P-TTP010-5	P-TTP020-5	P-TTP030-5	P-TTP050-5
6	P-TTP010-6	P-TTP020-6	P-TTP030-6	P-TTP050-6
8	P-TTP010-8	P-TTP020-8	P-TTP030-8	P-TTP050-8
9	P-TTP010-9	P-TTP020-9	P-TTP030-9	P-TTP050-9
11	P-TTG010-11	P-TTG020-11	P-TTG030-11	P-TTG050-11
12	P-TTG010-12	P-TTG020-12	P-TTG030-12	P-TTG050-12
13	P-TTG010-13	P-TTG020-13	P-TTG030-13	P-TTG050-13
14	P-TTG010-14	P-TTG020-14	P-TTG030-14	P-TTG050-14
15	P-TTG010-15	P-TTG020-15	P-TTG030-15	P-TTG050-15
16	P-TTG010-16	P-TTG020-16	P-TTG030-16	P-TTG050-16
17	P-TTG010-17	P-TTG020-17	P-TTG030-17	P-TTG050-17
18	P-TTG010-18	P-TTG020-18	P-TTG030-18	P-TTG050-18
19	P-TTG010-19	P-TTG020-19	P-TTG030-19	P-TTG050-19
20	P-TTG010-20	P-TTG020-20	P-TTG030-20	P-TTG050-20
22	P-TTG010-22	P-TTG020-22	P-TTG030-22	P-TTG050-22
21	Black C5X25B or Zinc C5X25Z			
23	P-TTG010-23	P-TTG020-23	P-TTG030-23	P-TTG050-23
24	P-TTG010-24	P-TTG020-24	P-TTG030-24	P-TTG050-24
25	P-TTG010-25	P-TTG020-25	P-TTG030-25	P-TTG050-25
26	P-NPL-TPG010	P-NPL-TPG020	P-NPL-TPG030	P-NPL-TPG050

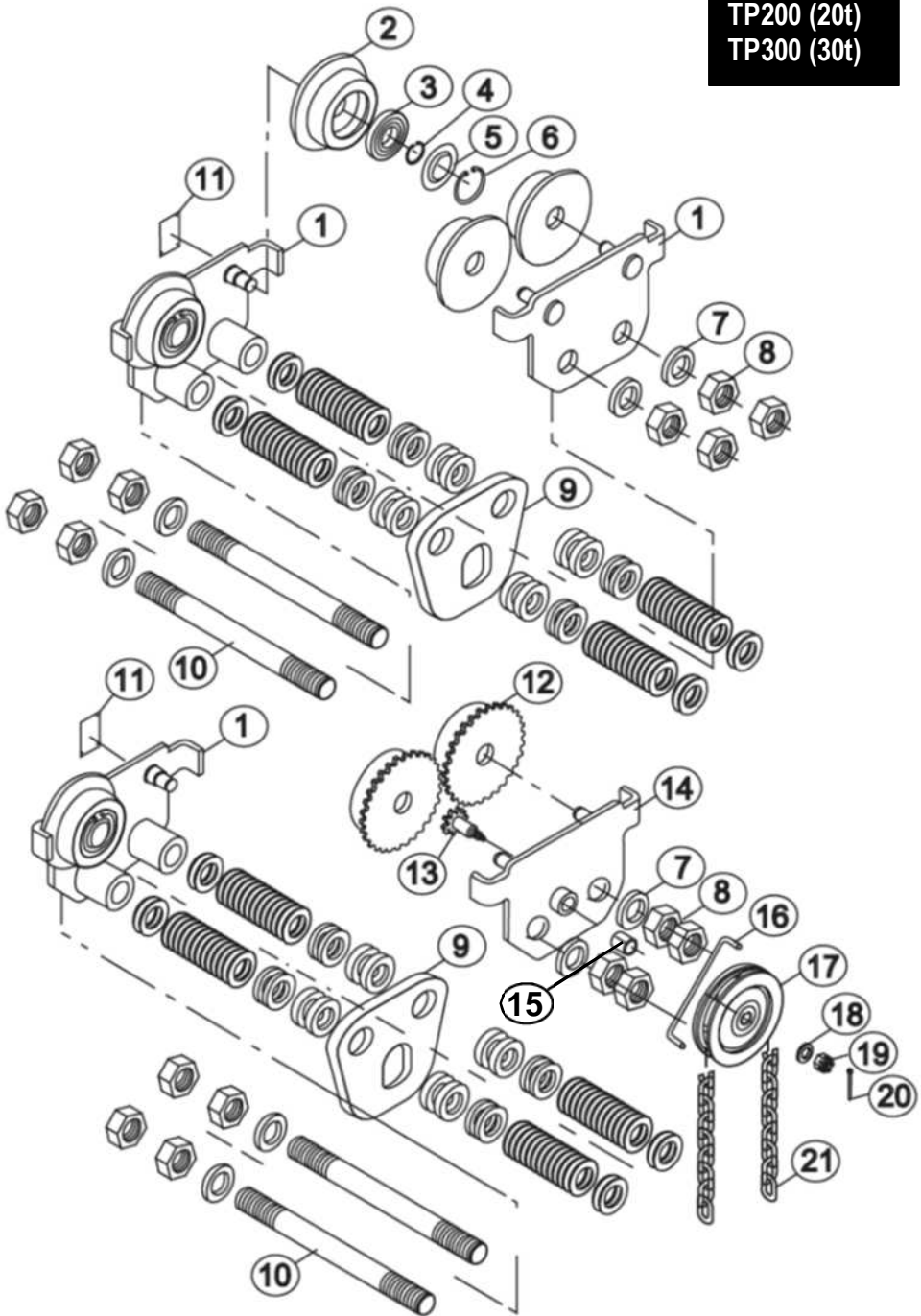


- TP005 (1/2t)**
- TG010, TP010 (1t)**
- TG020, TP020 (2t)**
- TG030, TP030 (3t)**
- TG050, TP050 (5t)**
- TG100, TP100 (10t)**

#	TP005 (1/2t)	TP010 (1t)	TP020 (2t)	TP030 (3t)	TP050 (5t)	TP100 (10t)
1	P-TP005-1	P-TP010-1	P-TP020-1	P-TP030-1	P-TP050-1	P-TP100-1
2	P-TP005-2	P-TP010-2	P-TP020-2	P-TP030-2	P-TP050-2	P-TP100-2
3	P-TP005-3	P-TP010-3	P-TP020-3	P-TP030-3	P-TP050-3	P-TP100-3
4	P-TP005-4	P-TP010-4	P-TP020-4	P-TP030-4	P-TP050-4	P-TP100-4
5	P-TP005-5	P-TP010-5	P-TP020-5	P-TP030-5	P-TP050-5	P-TP100-5
6	P-TP005-6	P-TP010-6	P-TP020-6	P-TP030-6	P-TP050-6	P-TP100-6
7	P-TP005-7	P-TP010-7	P-TP020-7	P-TP030-7	P-TP050-7	P-TP100-7
8	P-TP005-8	P-TP010-8	P-TP020-8	P-TP030-8	P-TP050-8	P-TP100-8
9	P-TP005-9	P-TP010-9	P-TP020-9	P-TP030-9	P-TP050-9	P-TP100-9
10	P-TP005-10	P-TP010-10	P-TP020-10	P-TP030-10	P-TP050-10	P-TP100-10
26	P-NPL-TPG005	P-NPL-TPG010	P-NPL-TPG020	P-NPL-TPG030	P-NPL-TPG050	P-NPL-TPG100

#	TG010 (1t)	TG020 (2t)	TG030 (3t)	TG050 (5t)	TG100 (10t)
1	P-TP010-1	P-TP020-1	P-TP030-1	P-TP050-1	P-TP100-1
2	P-TP010-2	P-TP020-2	P-TP030-2	P-TP050-2	P-TP100-2
3	P-TP010-3	P-TP020-3	P-TP030-3	P-TP050-3	P-TP100-3
4	P-TP010-4	P-TP020-4	P-TP030-4	P-TP050-4	P-TP100-4
5	P-TP010-5	P-TP020-5	P-TP030-5	P-TP050-5	P-TP100-5
6	P-TP010-6	P-TP020-6	P-TP030-6	P-TP050-6	P-TP100-6
7	P-TP010-7	P-TP020-7	P-TP030-7	P-TP050-7	P-TP100-7
8	P-TP010-8	P-TP020-8	P-TP030-8	P-TP050-8	P-TP100-8
9	P-TP010-9	P-TP020-9	P-TP030-9	P-TP050-9	P-TP100-9
10	P-TP010-10	P-TP020-10	P-TP030-10	P-TP050-10	P-TP100-10
11	P-TG010-11	P-TG020-11	P-TG030-11	P-TG050-11	P-TG100-11
12	P-TG010-12	P-TG020-12	P-TG030-12	P-TG050-12	P-TG100-12
13	P-TG010-13	P-TG020-13	P-TG030-13	P-TG050-13	P-TG100-13
14	P-TG010-14	P-TG020-14	P-TG030-14	P-TG050-14	P-TG100-14
15	P-TG010-15	P-TG020-15	P-TG030-15	P-TG050-15	P-TG100-15
16	P-TG010-16	P-TG020-16	P-TG030-16	P-TG050-16	P-TG100-16
17	P-TG010-17	P-TG020-17	P-TG030-17	P-TG050-17	P-TG100-17
18	P-TG010-18	P-TG020-18	P-TG030-18	P-TG050-18	P-TG100-18
19	P-TG010-19	P-TG020-19	P-TG030-19	P-TG050-19	P-TG100-19
20	P-TG010-20	P-TG020-20	P-TG030-20	P-TG050-20	P-TG100-20
21	Black C5X25B or Zinc C5X25Z				
22	P-TG010-22	P-TG020-22	P-TG030-22	P-TG050-22	P-TG100-22
23	P-TG010-23	P-TG020-23	P-TG030-23	P-TG050-23	P-TG100-23
24	P-TG010-24	P-TG020-24	P-TG030-24	P-TG050-24	P-TG100-24
25	P-TG010-25	P-TG020-25	P-TG030-25	P-TG050-25	P-TG100-25
26	P-NPL-TPG010	P-NPL-TPG020	P-NPL-TPG030	P-NPL-TPG050	P-NPL-TPG100

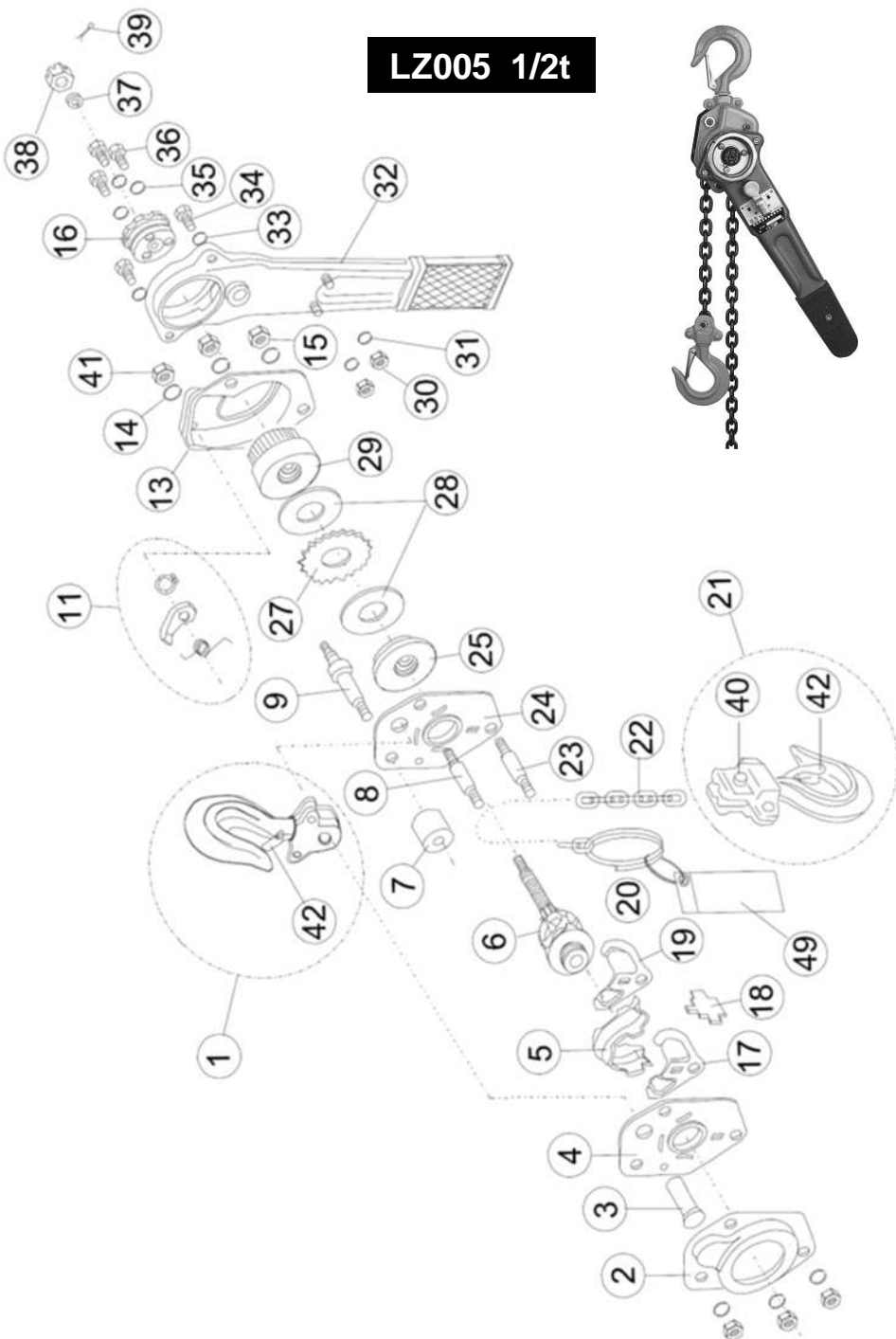
TP200 (20t)
TP300 (30t)



#	TP200	TP300
	TG200 (20t)	TG300 (30t)
1	P-TP200-1	P-TP300-1
2	P-TP200-2	P-TP300-2
3	P-TP200-3	P-TP300-3
4	P-TP200-4	P-TP300-4
5	P-TP200-5	P-TP300-5
6	P-TP200-6	P-TP300-6
7	P-TP200-7	P-TP300-7
8	P-TP200-8	P-TP300-8
9	P-TP200-9	P-TP300-9
10	P-TP200-10	P-TP300-10
11	P-NPL-TPG200	P-NPL-TPG300

#	TG200	TG300
	(20t)	(30t)
12	P-TG200-12	P-TG200-12
13	P-TG200-13	P-TG200-13
14	P-TG200-14	P-TG200-14
15	P-TG200-15	P-TG200-15
16	P-TG200-16	P-TG200-16
17	P-TG200-17	P-TG200-17
18	P-TG200-18	P-TG200-18
19	P-TG200-19	P-TG200-19
20	P-TG200-20	P-TG200-20
21	Black C5X25Z or Zinc C5X25ZB	

LZ005 1/2t



LZ005	
#	(1/2t)
1	P-LZ005-1
2	P-LZ005-2
3	P-LZ005-3
4	P-LZ005-4
5	P-LZ005-5
6	P-LZ005-6
7	P-LZ005-7
8	P-LZ005-8
9	P-LZ005-9
11	P-LZ005-11K
13	P-LZ005-13
14	P-LZ005-14
15	P-LZ005-15
16	P-LZ005-16

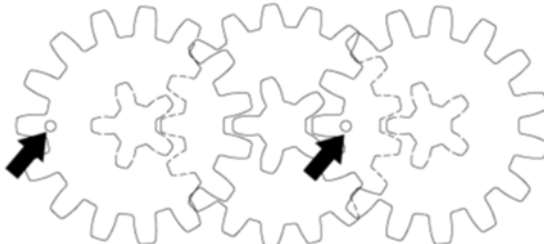
LZ005	
#	(1/2t)
17	P-LZ005-17
18	P-LZ005-18
19	P-LZ005-19
20	P-LZ005-20
21	P-LZ005-21
22	C5X15B or Z
23	P-LZ005-23
24	P-LZ005-24
25	P-LZ005-25
27	P-LZ005-27
28	P-LZ005-28
29	P-LZ005-29
30	P-LZ005-30

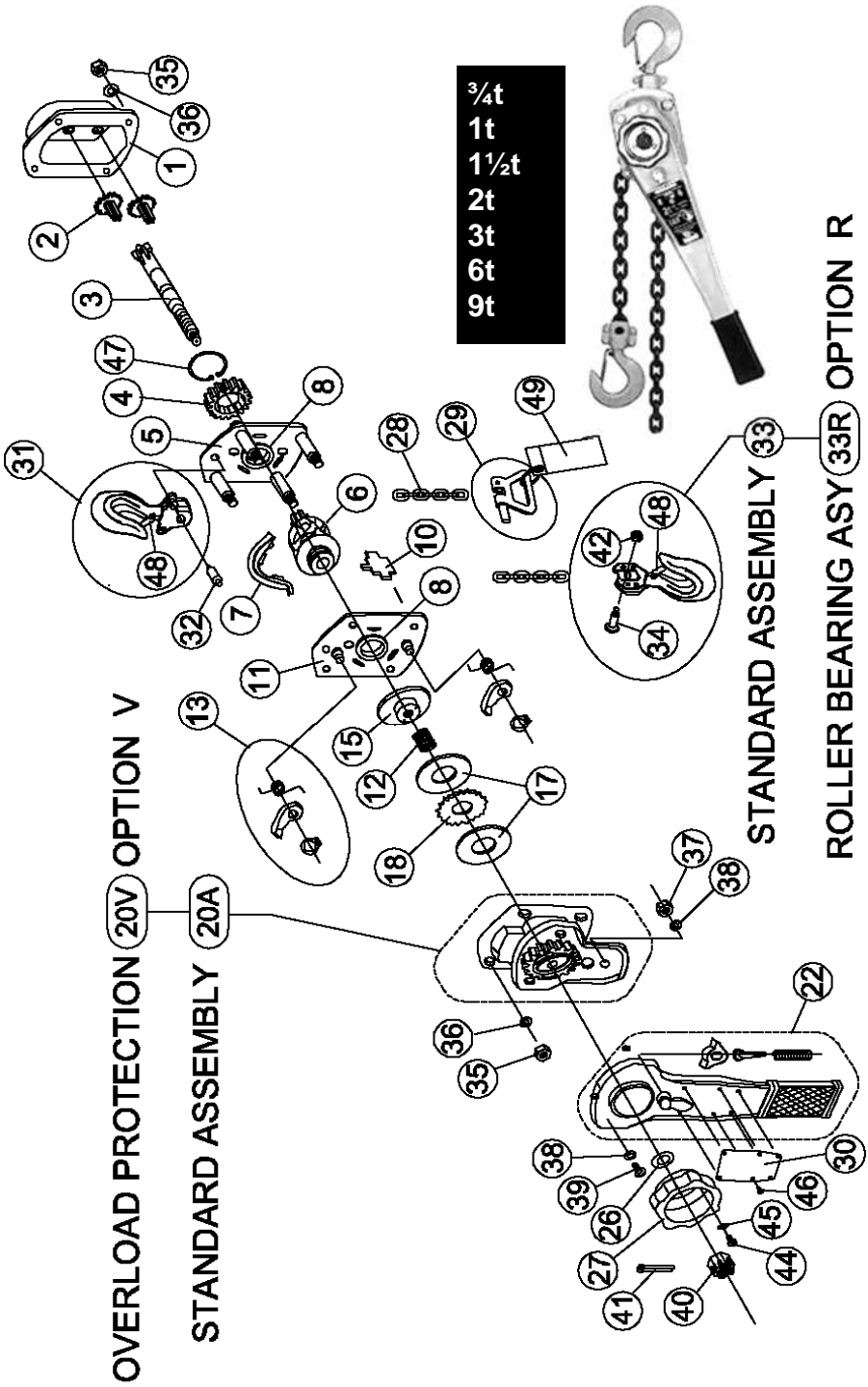
LZ005	
#	(1/2t)
31	P-LZ005-31
32	P-LZ005-32
33	P-LZ005-33
34	P-LZ005-34
35	P-LZ005-35
36	P-LZ005-36
37	P-LZ005-37
38	P-LZ005-38
39	P-LZ005-39
40	P-LZ005-40
41	P-LZ005-41
42	P-LZ005-42
49	P-WARN-L

**LB, LC
& CB**



**Gear
Timing**

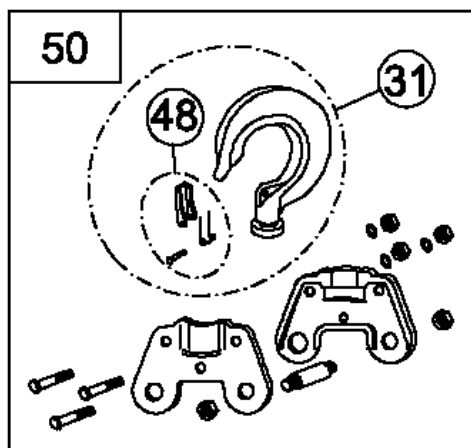




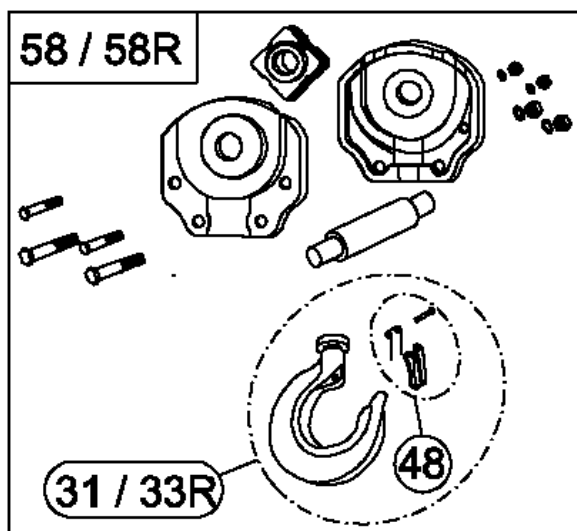
#	(3/4t)	(1t)	(1 1/2t)	(2t)	(3t)	(6t)	(9t)
1-LB	P-LB008-1		P-LB015-1		P-LB030-1		
1-LC	P-LC008-1		P-LC015-1		P-LC030-1		
2	P-LB008-2		P-LB015-2		P-LB030-2		
3	P-LB008-3		P-LB015-3		P-LB030-3		
4	P-LB008-4		P-LB015-4		P-LB030-4		
5-LB	P-LB008-5		P-LB015-5		P-LB030-5		
5-LC	P-LC008-5		P-LC015-5		P-LC030-5		
6	P-LB008-6		P-LB015-6		P-LB030-6		
7	P-LB008-7		P-LB015-7		P-LB030-7		
*8	P-CB005-9		P-CB015-9		P-CB050-9		
10	P-CB005-6		P-CB015-6		P-CB050-6		
11-LB	P-LB008-11		P-LB015-11		P-LB030-11		
11-LC	P-LC008-11		P-LC015-11		P-LC030-11		
12	P-LB008-12		P-LB015-12		P-LB008-12		
*13	P-CB005-25K		P-CB015-25K				
15	P-CB010-12		P-CB015-12		P-CB050-12		
*17	P-CB010-28		P-CB015-28		P-CB050-28		
18	P-CB010-27		P-CB015-27		P-CB050-27		
20A-LB	P-LB008-20A		P-LB015-20A		P-LB030-20A		
20A-LC	P-LC008-20A		P-LC015-20A		P-LC030-20A		
20V-LB	P-LB008-20V	P-LB010-20V	P-LB015-20V		P-LB030-20V		
20V-LC	P-LC008-20V	P-LC010-20V	P-LC015-20V	P-LC020-20V	P-LC030-20V		
22-LB	P-LB008-22		P-LB015-22				
22-LC	P-LC008-22		P-LC015-22				
26	P-LB008-26						
27	P-LB008-27		P-LB015-27		P-LB030-27		
28	Black C6X18B or Zinc C6X18Z		Black C8X24B or Zinc C8X24Z		Black C10X30B or Zinc C10X30Z		
29	P-LB008-29		P-LB015-29		P-LB030-29		
30-LB	P-NPL-LB008	P-NPL-LB010	P-NPL-LB015		P-NPL-LB030	P-NPL-LB060	P-NPL-LB090
30-LC	P-NPL-LC008	P-NPL-LC010	P-NPL-LC015	P-NPL-LC020	P-NPL-LC030	P-NPL-LC060	P-NPL-LC090
*31	P-LB008-31	P-CB010-23	P-CB015-23	P-CB020-23	P-LB030-31	P-LB060-31	P-LB090-31
32	P-CB005-13		P-CB015-13		P-LB030-32		
*33	P-LB008-33	P-CB010-34	P-CB015-34	P-CB020-34	P-LB030-33		
*33R	P-LB008-33R	P-CB010-34R	P-CB015-34R	P-CB020-34R	P-LB030-33R	P-LB060-33R	P-LB090-33R
34	P-CB010-4		P-CB020-4		P-LB030-34		
35	P-M8 NUT LOCK		P-M10 NUT LOCK		P-M12 NUT LOCK		
37(NS)	(NS) M6 NUT HEX		(NS) M8 NUT HEX				
38(NS)	(NS) M6 WASHER LOCK		(NS) M8 WASHER LOCK				
39(NS)	(NS) M6X10 HEXHD		(NS) M8X15 HEXHD				
40	P-M10 NUT CASTLE-9						
41(NS)	(NS) M25X25 COTTER						
42	P-M6 NUT LOCK		P-M8 NUT LOCK		P-M10 NUT LOCK		
44(NS)	(NS) M5X10 RNDHD						
45(NS)	(NS) M5 WASHER LOCK						
46	P-M2.5X6 SCREW DRIVE						
47	P-28MM RING EXT		P-34MM RING EXT		P-45 MM RING EXT		
*48	P-CB005-8	P-CB010-8	P-CB015-8	P-CB020-8	P-CB030-50	P-LB060-48	P-LB090-48
*49	P-WARN-L						
50						P-LB060-50K	P-LB090-50K
58						P-LB060-58K	P-LB090-58K
58R						P-LB060-58RK	P-LB090-58RK

(NS) Not Sold, Standard Hardware Item

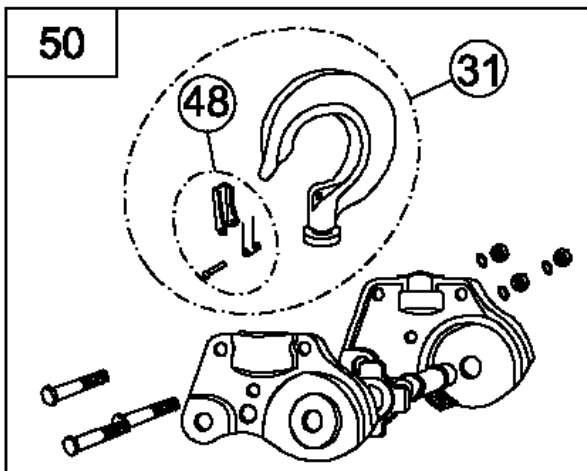
* Recomendado, Recomendé, Recomendado



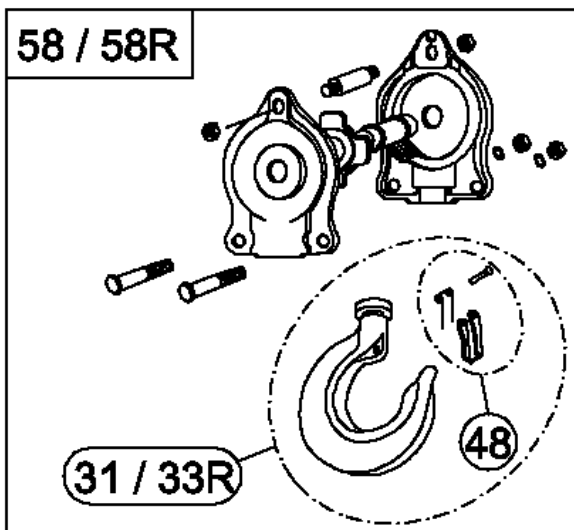
6t



- 31 = Standard Hook
- 33R = Roller Brg. Hook
- 58 = Standard Block Asy.
- 58R = Roller Brg Block Asy.



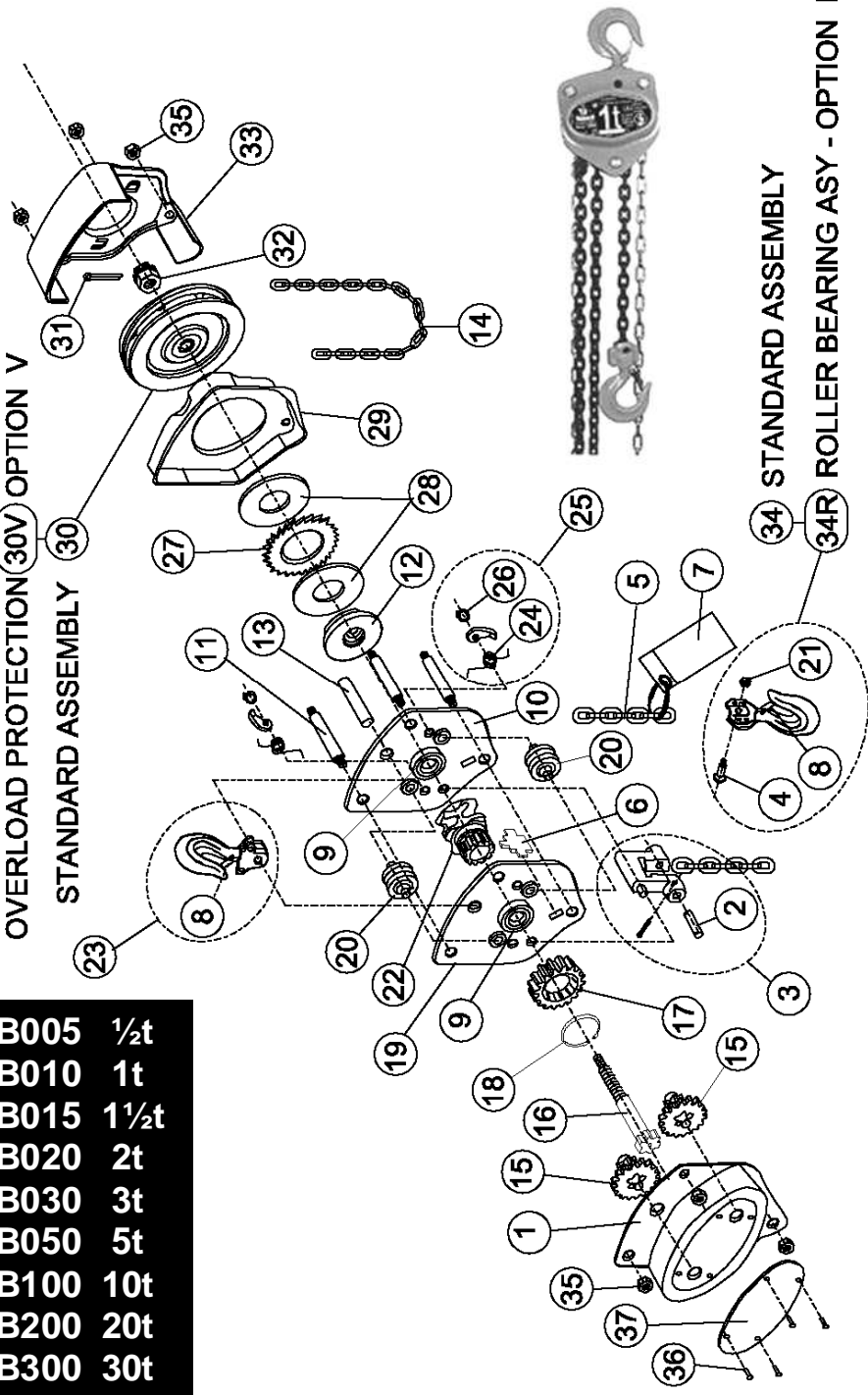
9t



- 31 = Standard Hook
- 33R = Roller Brg. Hook
- 58 = Standard Block Asy.
- 58R = Roller Brg Block Asy.

CB005	1/2t
CB010	1t
CB015	1 1/2t
CB020	2t
CB030	3t
CB050	5t
CB100	10t
CB200	20t
CB300	30t

OVERLOAD PROTECTION (30V) OPTION V
STANDARD ASSEMBLY

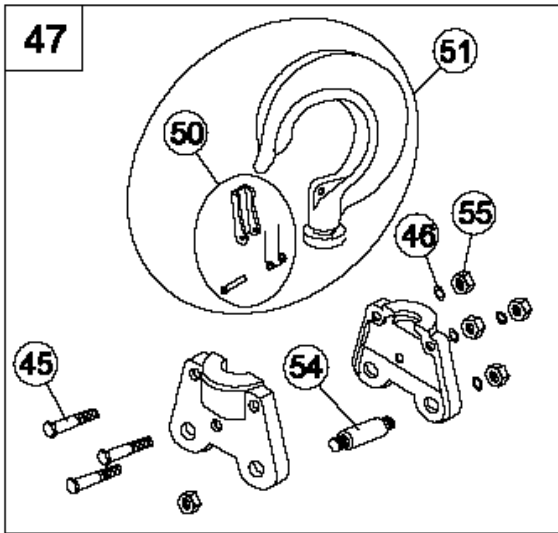


34 STANDARD ASSEMBLY
34R ROLLER BEARING ASY - OPTION R

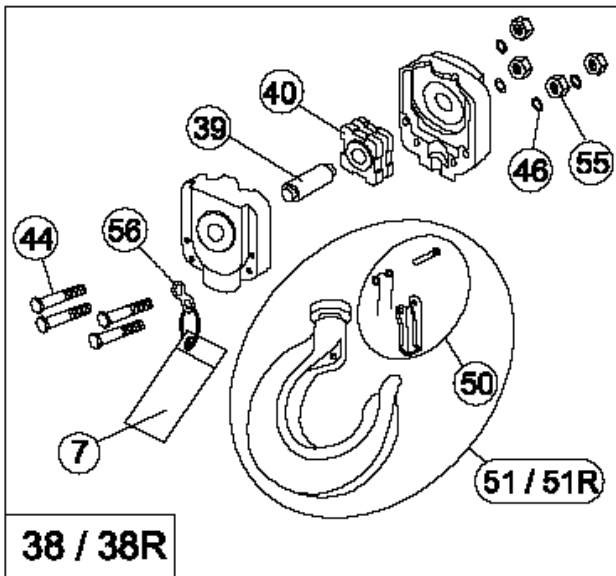
#	CB005 (1/2t)	CB010 (1t)	CB015 (1.5t)	CB030 (3t)	CB020 (2t)	CB050, 100, 200 & 300 (5t) (10t) (20t) (30t)
1	P-CB005-1	P-CB010-1	P-CB015-1		P-CB020-1	P-CB050-1
2	P-CB005-2	P-CB010-2	P-CB015-2		P-CB020-2	P-CB050-2
3	P-CB005-3		P-CB015-3			P-CB050-3
4	P-CB005-4	P-CB010-4	P-CB020-4		P-CB020-4	
5	C6X18B or Z		C8X24B or Z			C10X30B or Z
6	P-CB005-6		P-CB015-6			P-CB050-6
*7	P-WARN-M					
*8	P-CB005-8	P-CB010-8	P-CB015-8		P-CB020-8	
*9	P-CB005-9		P-CB015-9			P-CB050-9
10	P-CB005-10	P-CB010-10	P-CB015-10		P-CB020-10	P-CB050-10
11	P-CB005-11	P-CB010-11	P-CB015-11		P-CB020-11	P-CB050-11
12	P-CB005-12	P-CB010-12	P-CB015-12			P-CB050-12
13	P-CB005-13		P-CB015-13			P-CB050-13
14	C5X25Z					
15	P-CB005-15	P-CB010-15	P-CB015-15		P-CB020-15	P-CB050-15
16	P-CB005-16	P-CB010-16	P-CB015-16			P-CB050-16
17	P-CB005-17	P-CB010-17	P-CB015-17		P-CB020-17	P-CB050-17
18	P-CB005-18	P-28MM RING EXT	P-34MM RING EXT			P-45 MM RING EXT
19	P-CB005-19A	P-CB010-19	P-CB015-19		P-CB020-19	P-CB050-19
20	P-CB005-20		P-CB015-20			P-CB050-20
21	P-M6 NUT LOCK		P-M8 NUT LOCK		P-M8 NUT LOCK	
22	P-CB005-22	P-LB008-6	P-LB015-6		P-CB020-22	P-CB050-22
*23	P-CB005-23	P-CB010-23	P-CB015-23		P-CB020-23	
24	P-CB005-24		P-CB015-24			P-CB050-24
*25	P-CB005-25K		P-CB015-25K			
26	P-CB005-26		P-CB015-26			P-CB050-26
27	P-CB005-27	P-CB010-27	P-CB015-27			P-CB050-27
*28	P-CB005-28	P-CB010-28	P-CB015-28			P-CB050-28
29	P-CB005-29	P-CB010-29	P-CB015-29		P-CB020-29	P-CB050-29
30	P-CB005-30	P-CB010-30	P-CB015-30		P-CB020-30	P-CB050-30
30V	P-CB005-30V	P-CB010-30V	P-CB015-30V		P-CB020-30V	5t = P-CB050-30V 10t = P-CB100-30V 20&30t = P-CB300-30V
31	M3.2X28 COTTER					
32	P-M10 NUT CASTLE-9		P-M12 NUT CASTLE-12			
33	P-CB005-33	P-CB010-33	P-CB015-33		P-CB020-33	P-CB050-33
*34	P-CB005-34	P-CB010-34	P-CB015-34		P-CB020-34	
*34R	P-CB005-34R	P-CB010-34R	P-CB015-34R		P-CB020-34R	
35	P-M8 NUT LOCK		P-M10 NUT LOCK			P-M12 NUT LOCK
36	P-M2.5X6 SCREW DRIVE					
37	P-NPL-CB005	P-NPL-CB010	P-NPL-CB015	P-NPL-CB030	P-NPL-CB020	

(NS) Not Sold, Standard Hardware Item

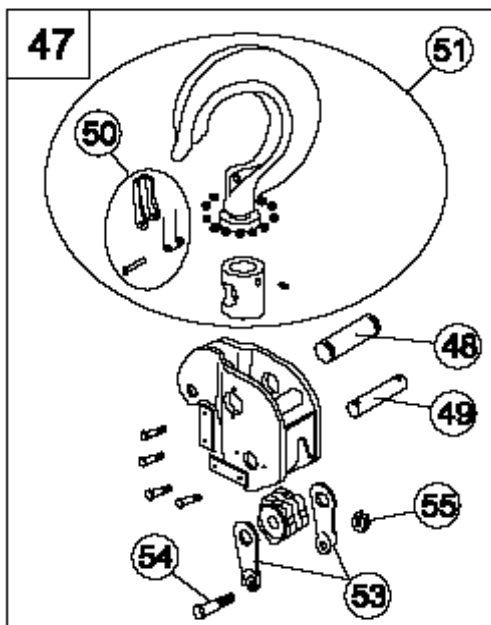
* Recomendado, Recomendé, Recomendado



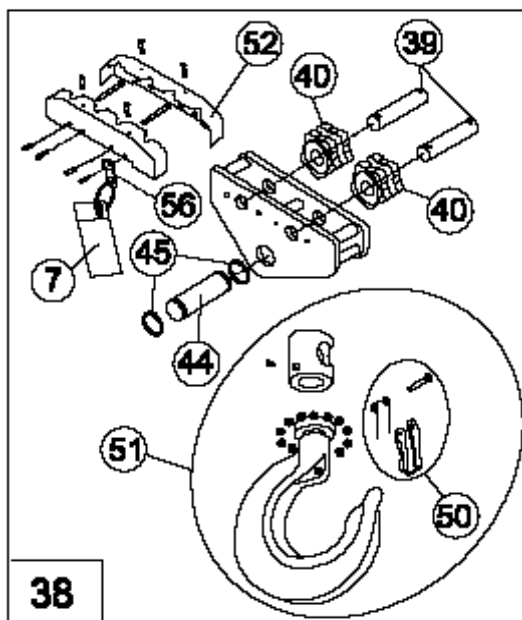
3t CB030
5t CB050

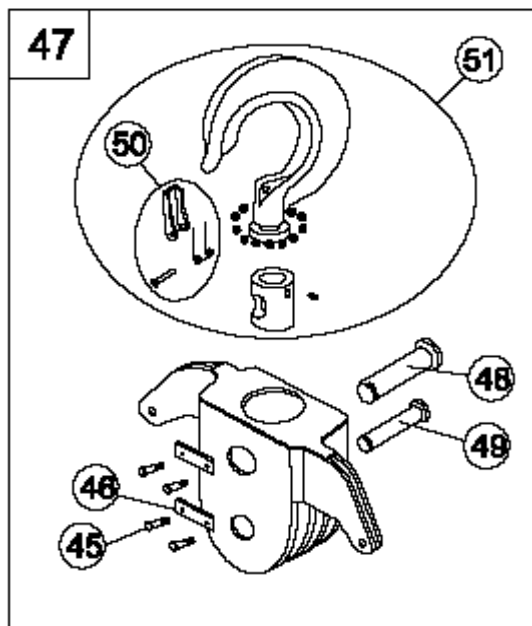


51 = Standard Hook Assembly
38 = Standard Block Assembly
51R = Roller Brg Bottom Hook Asy.
38R = Roller Brg Block Asy.

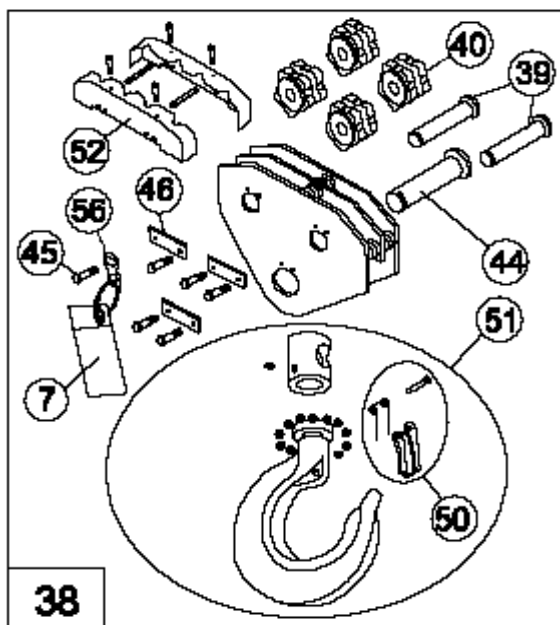


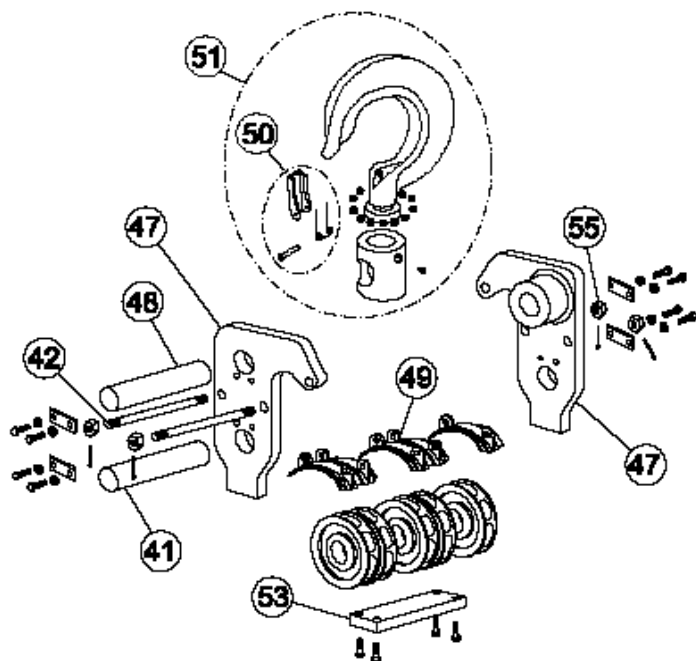
10t CB100



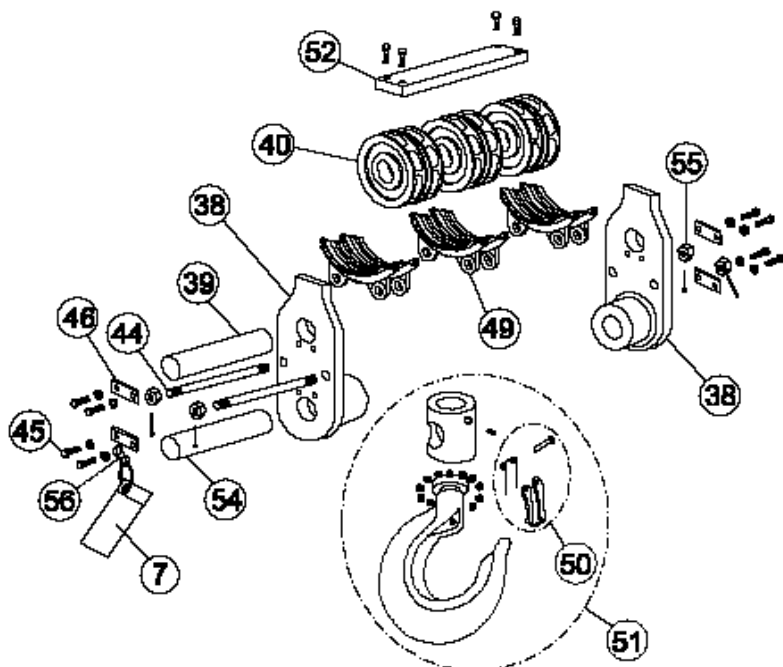


20t CB200





30t CB300



#	CB030 (3t)	CB050 (5t)	CB100 (10t)	CB200 (20t)	CB300 (30t)
37	P-NPL-CB030	P-NPL-CB050	P-NPL-CB100	P-NPL-CB200	P-NPL-CB300
38	P-CB030-38K	P-CB050-38K	P-CB100-38K	P-CB200-38K	P-CB300-38
38B	P-CB030-38KB	P-CB050-38KB			
39	P-CB030-39	P-CB050-39	P-CB100-39	P-CB200-39	P-CB300-39
40	P-CB030-40	P-CB050-40	P-CB100-40	P-CB200-40	P-CB300-40
41					P-CB300-41
42					P-CB300-42
44	P-CB030-44	P-CB050-44	P-CB100-44	P-CB200-44	P-CB300-44
45	P-CB030-45	P-CB050-45	P-CB100-45	P-CB200-45	P-CB300-45
46	P-CB030-46	P-CB050-46	P-CB100-46	P-CB200-46	P-CB300-46
47	P-CB030-47K	P-CB050-47K	P-CB100-47K	P-CB200-47K	P-CB300-47
48			P-CB100-48	P-CB200-48	P-CB300-48
49			P-CB100-49	P-CB200-49	P-CB300-49
*50	P-CB030-50	P-CB050-50	P-CB100-50	P-CB200-50	
*51	P-CB030-51	P-CB050-51	P-CB100-51	P-CB200-51	P-CB300-51
*51R	P-CB030-51R	P-CB050-51R			
52			P-CB100-52	P-CB200-52	P-CB300-52
53			P-CB100-53		
54			P-CB100-54		P-CB300-54
55	P-CB030-55	P-CB050-55	P-CB100-55		P-CB300-55
56	P-CB030-56				

(NS) Not Sold, Standard Hardware Item

* Recommended, Recomendé, Recomendado