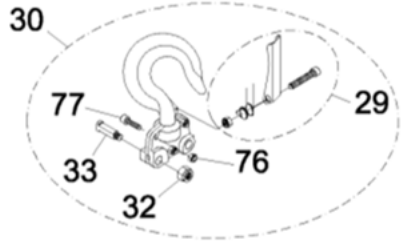
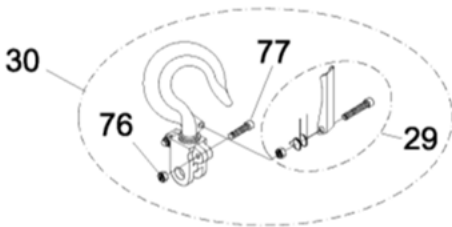


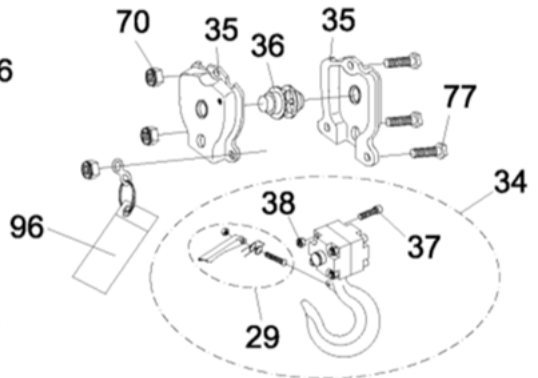
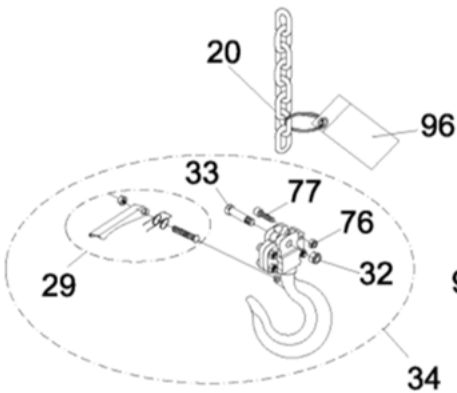
Cast Latch Kit for 1/2 -5t hoist with
Serial # ≥ 12G1562-09

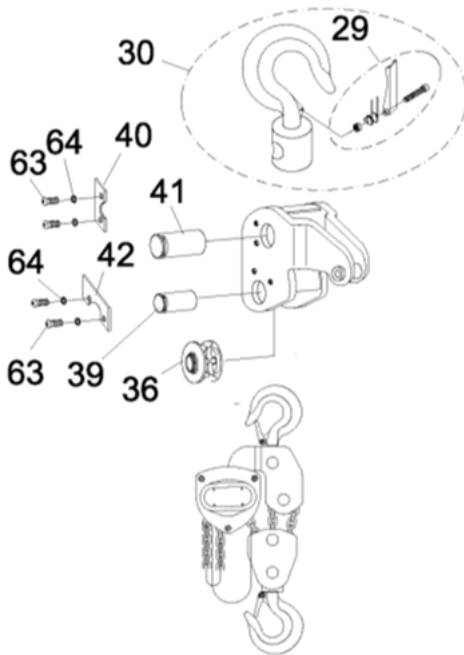


1/2t-3t (1 part)

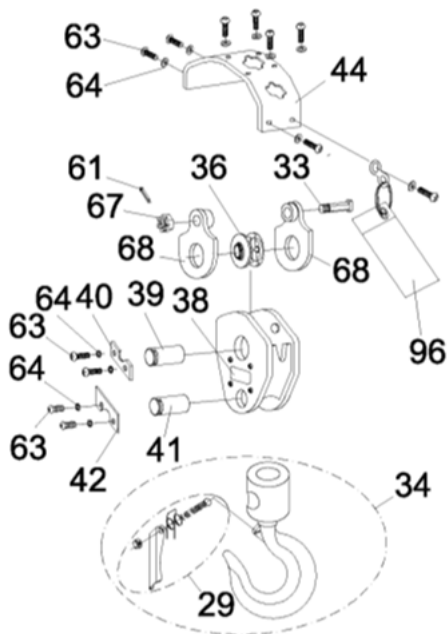


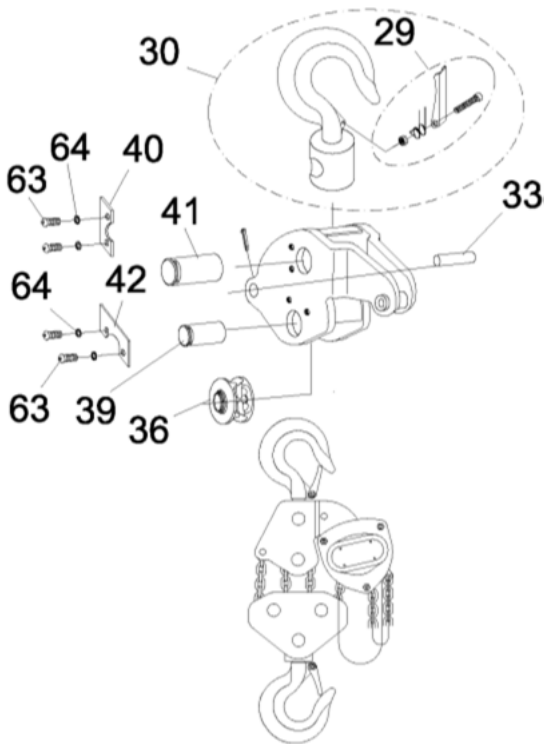
4-5t (2 part)



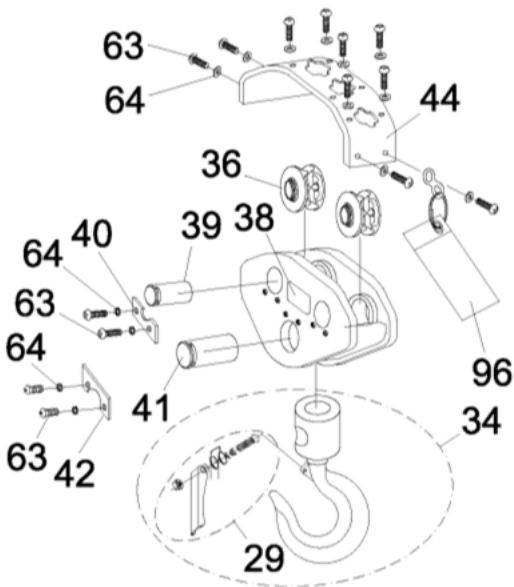


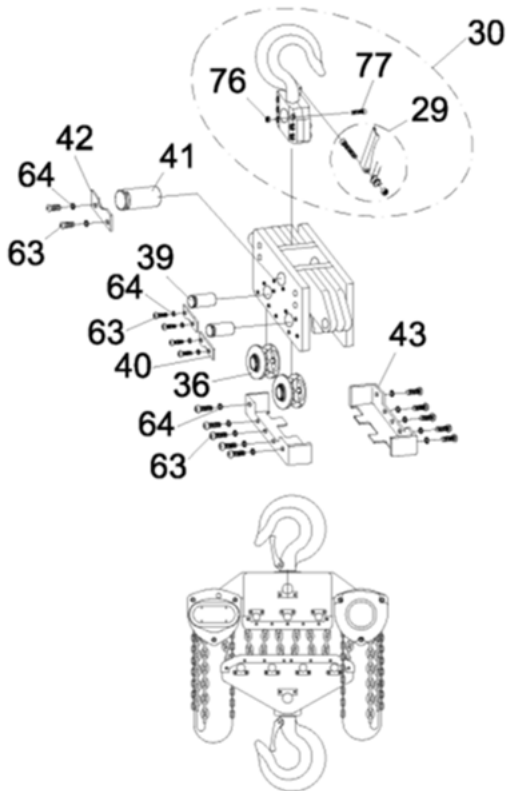
6t, 7.5t, 8T (3 parts)



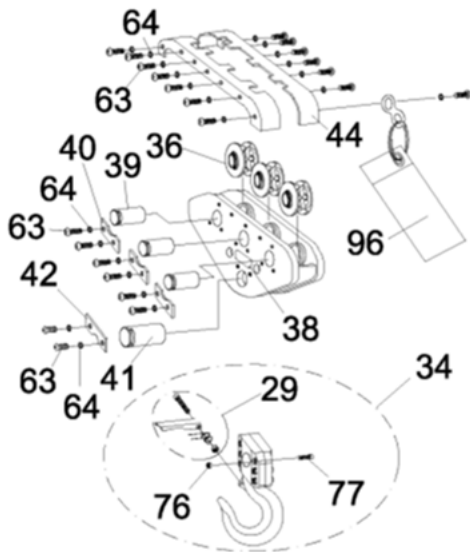


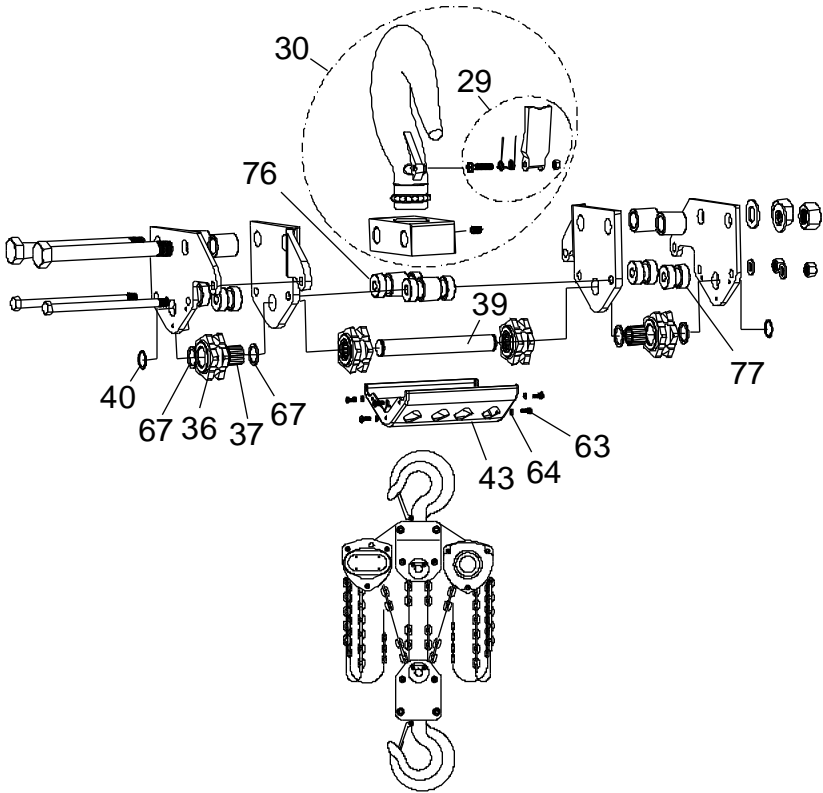
10t (4 parts)



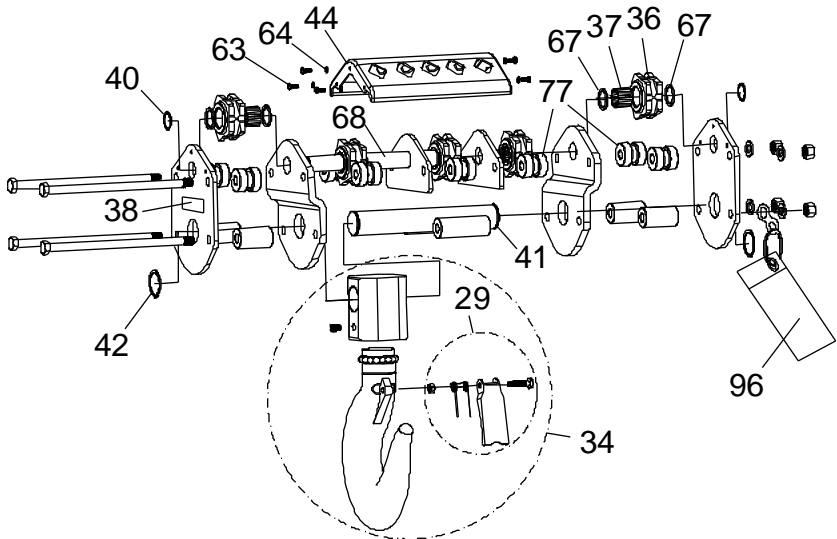


12t, 15t (6 parts) 20t (8 parts)





25t & 30T (10 parts) 30t (12 parts)



#	MA005 1/2t 1/2t (1 Part)	MA010 1t (1 Part)	MA015 1.5t (1 Part)	MA020 2t (1 Part)	MA030 3t (1 Part)	MA040 4t (2 Part)	MA050 5t (2 Part)
1	P-MA005-1	P-MA010-1	P-MA015-1	P-MA020-1	P-MA030-1	P-MA050-1	
2A	P-MA005-2A	P-MA010-2A	P-MA015-2A	P-MA020-2A	P-MA030-2A	P-MA050-2A	
2C	P-MA005-2C	P-MA010-2C	P-MA015-2C	P-MA020-2C	P-MA030-2C	P-MA040-2C	P-MA050-2C
2L	P-LBL-MA-C						
3	P-MA005-3	P-MA010-3	P-MA015-3	P-MA020-3	P-MA030-3	P-MA050-3	
*4	P-MA010-4			P-MA020-4			
*5	P-MA010-5			P-MA020-5			
*6	P-MA010-6			P-MA020-6	P-MA030-6	P-MA050-6	
7	P-MA005-7	P-MA010-7	P-MA015-7	P-MA020-7	P-MA030-7	P-MA050-7	
8	P-MA005-8	P-MA010-8	P-MA015-8	P-MA020-8	P-MA030-8	P-MA050-8	
9	P-MA005-9	P-MA010-9	P-MA015-9	P-MA020-9	P-MA030-9	P-MA050-9	
10	P-MA005-10	P-MA010-10	P-MA015-10	P-MA020-10	P-MA030-10	P-MA050-10	
11	P-MA005-11	P-MA010-11	P-MA015-11	P-MA020-11	P-MA030-11	P-MA050-11	
12	P-MA005-12	P-MA010-12	P-MA015-12	P-MA020-12	P-MA030-12	P-MA050-12	
13	P-MA005-13	P-MA010-13	P-MA015-13	P-MA020-13	P-MA030-13	P-MA050-13	
14	P-MA005-14	P-MA010-14	P-MA015-14	P-MA020-14	P-MA030-14	P-MA050-14	
15	P-MA005-15	P-MA010-15	P-MA015-15	P-MA020-15	P-MA030-15	P-MA050-15	
16	P-NPL-MA005	P-NPL-MA010	P-NPL-MA015	P-NPL-MA020	P-NPL-MA030	P-NPL-MA040	P-NPL-MA050
17	P-MA005-17	P-MA010-17	P-MA015-17	P-MA020-17	P-MA030-17	P-MA050-17	
18	P-MA005-18	P-MA010-18	P-MA015-18	P-MA020-18	P-MA030-18	P-MA050-18	
19	P-MA005-19	P-MA010-19	P-MA015-19	P-MA020-19	P-MA030-19	P-MA050-19	
20	C5X15Z	C6X18Z	C7X21Z	C8X24Z	C10X28Z	C9X27Z	
*22	P-MA010-K22				P-MA030-K22	P-MA050-K22	
23	C5X24Z						
*29	P-MA005-29	P-MA010-29	P-MA015-29	P-MA020-29	P-MA030-29	P-MA050-29	
*29A	P-MA005-29A	P-MA010-29A	P-MA015-29A	P-MA020-29A	P-MA030-29A	P-MA050-29A	
30	P-MA005-30	P-MA010-30	P-MA015-30	P-MA020-30	P-MA030-30	P-MA050-30	

* Recomendado, Recomandé, Recomendado

#	MA005 (1 Part)	MA010 1t (1 Part)	MA015 1 1/2t (1 Part)	MA020 2t (1 Part)	MA030 3t (1 Part)	MA040 4t (2 Part)	MA050 5t (2 Part)
32	P-M5 NUT LOCK		P-M6 NUT LOCK		P-M8 NUT LOCK	P-M12 NUT LOCK	
33	P-MA005-33	P-MA010-33	P-MA015-33	P-MA020-33	P-MA030-33	P-MA050-33	
*34	P-MA005-34C	P-MA010-34C	P-MA015-34C	P-MA020-34C	P-MA030-34C	P-MA050-34C	
35						P-MA050-35	
36						P-MA050-36	
37						P-M12X25 CSKHD	
38						P-M12 NUT LOCK	
60	P-M6 NUT LOCK	P-M8 NUT LOCK			P-M10 NUT LOCK		
*61	P-M2.5X25 COTTER				P-M3.2X28 COTTER	P-M2.5X25 COTTER	
62	P-M10 NUT CASTLE-9				P-M12 NUT CASTLE-10	P-M10 NUT CASTLE-9	
63	P-M6X10 RNDHD						
64	P-M6 WASHER LOCK						
*66		P-22MM RING INT			P-24MM RING INT	P-22MM RING INT	
*69	P-25MM RING EXT		P-30MM RING EXT		P-45MM RING EXT	P-34MM RING EXT	
70	P-M8 NUT LOCK	P-M10 NUT LOCK			P-M12 NUT LOCK		
71	P-M2.5X6 SCREW DRIVE						
76	P-M5 NUT LOCK	P-M6 NUT LOCK			P-M8 NUT LOCK	P-M12 NUT LOCK	
77	P-M5X18 CSKHD	P-M6X22 CSKHD		P-M6X25 CSKHD	P-M8X30 CSKHD	P-M12X25 HEXHD	
78	P-MA050-78-6.0		P-MA050-78-8.5		P-MA050-78-6.0	P-MA050-78-8.5	
*90	P-MA005-90	P-MA010-90	P-MA015-90	P-MA020-90	P-MA030-90	P-MA050-90	
*91	P-MA005-91	P-MA010-91	P-MA015-91	P-MA020-91	P-MA030-91	P-MA050-91	
*92	P-MA005-92	P-MA010-92	P-MA015-92	P-MA020-92	P-MA030-92	P-MA050-92	
*93		P-MA010-93	P-MA015-93	P-MA020-93	P-MA030-93	P-MA050-93	
*96	P-WARN--M						

* Recommended, Recomendé, Recomendado

#	MA060 6.0t MA075 7.5t MA080 8.0T (3 Part)	MA100 10t (4 Part)	MA120 12t MA150 15t (6 Part)	MA200 20t (8 Part)	MA250 25t (10 Part)	MA250 25t MA273 30T (10 Part)	MA300 30t (12 Part)
1	P-MA050-1					P-MA030-1	
2A	P-MA050-2A					P-MA030-2A	
2B	6.0t P-MA060-2B 7.5t P-MA075-2B 8.0T P-MA075-2B	P-MA100-2B	12t P-MA120-2B 15t P-MA150-2B	P-MA200-2B	P-MA250-2B	25t P-MA250A-2B 30T P-MA273-2B 30t P-MA300-2B	
2C	P-LBL-MA-C						
3	P-MA050-3					P-MA030-3	
*4	P-MA020-4						
*5	P-MA020-5						
*6	P-MA020-6					P-MA030-6	
7	P-MA050-7					P-MA030-7	
8	P-MA050-8					P-MA030-8	
9	P-MA050-9					P-MA030-9	
10	P-MA050-10					P-MA030-10	
11	P-MA050-11					P-MA030-11	
12	P-MA050-12					P-MA030-12	
13	P-MA050-13					P-MA030-13	
14	P-MA050-14					P-MA030-14	
15	P-MA050-15					P-MA030-15	
16	P-NPL-MA000					P-NPL-MA300	
17	P-MA050-17					P-MA030-17	
18	P-MA050-18					P-MA030-18	
19	P-MA050-19					P-MA030-19	
20	C9X27Z					C10X28Z	
*22	P-MA010-K22					P-MA030-K22	
23	C5X24Z						
*29	P-MA075-29	P-MA100-29	P-MA300-29				
30	P-MA075-30	P-MA100-30	P-MA150-30	P-MA200-30	P-MA250-30	25t P-MA250A-30 30T P-MA273-30 30t P-MA300-30	
33	P-MA075-33	P-MA100-33					
34	P-MA075-34	P-MA100-34	P-MA150-34	P-MA200-34	P-MA250-34	25t P-MA250A-34 30T P-MA273-34 30t P-MA300-34	
36	P-MA075-36		P-MA150-36		P-MA250-36	P-MA300-36	

* Recomendad, Recomandé, Recomendado

#	MA060 6.0t MA075 7.5t MA080 8.0T (3 Part)	MA100 10t (4 Part)	MA120 12t MA150 15t (6 Part)	MA200 20t (8 Part)	MA250 25t (10 Part)	MA25025t MA273 30T (10 Part)	MA300 30t (12 Part)
37					P-MA250-37	P-MA300-37	
38	6.0t P-NPL-MA060LB 7.5t P-NPL-MA075LB 8.0T P-NPL- MA080LB	10t P-NPL- MA100LB	12t P-NPL- MA120LB 15t P-NPL- MA150LB	20t P-NPL- MA200LB	25t P-NPL- MA250LB	25T P-NPL- MA273LB 30T P-NPL- MA273LB	30t P-NPL- MA300LB
39	P-MA075-39		P-MA150-39		P-MA250-39	P-MA273-39	P-MA300-39
40	P-MA075-40		P-MA150-40		P-32MM RING EXT		
41	P-MA075-41	P-MA100-41	P-MA150-41	P-MA200-41	P-MA250-41	P-MA273-41	P-MA300-41
42	P-MA075-42	P-MA100-42	P-MA150-42	P-MA200-42	P-48MM RING EXT		
43			P-MA150-43	P-MA200-43	P-MA250-43	P-MA273-43	P-MA300-43
44	P-MA075-44	P-MA100-44	P-MA150-44	P-MA200-44	P-MA250-44	P-MA273-44	P-MA300-44
60	P-M10 NUT LOCK						
*61	P-M2.5X25 COTTER					P-M3.2X28 COTTER	
62	P-M10 NUT CASTLE-9					P-M12 NUT CASTLE-10	
63	P-M6X10 RNDHD						
64	P-M6 WASHER LOCK						
*66	P-22MM RING INT						
67	P-M12 NUT LOCK				P-MA250-67	P-MA300-67	
68	P-MA075-68				P-MA250-68	P-MA273-68	P-MA300-68
*69	P-34MM RING EXT						
70	P-M12 NUT LOCK						
71	P-MA005-71						
76			P-M10X70 CSKHD	P-M12X75 CSKHD	P-MA250-76	P-MA273-76	P-MA300-76
77			P-M10 NUT LOCK	P-M12 NUT LOCK	P-MA250-77	P-MA300-77	
78	P-MA050-78						
90	P-MA050-90					P-MA030-90	
91	P-MA050-91					P-MA030-91	
92	P-MA050-92					P-MA030-92	
93	P-MA050-93						
*96	P-WARN-M						

* Recommended, Recomendé, Recomendado