

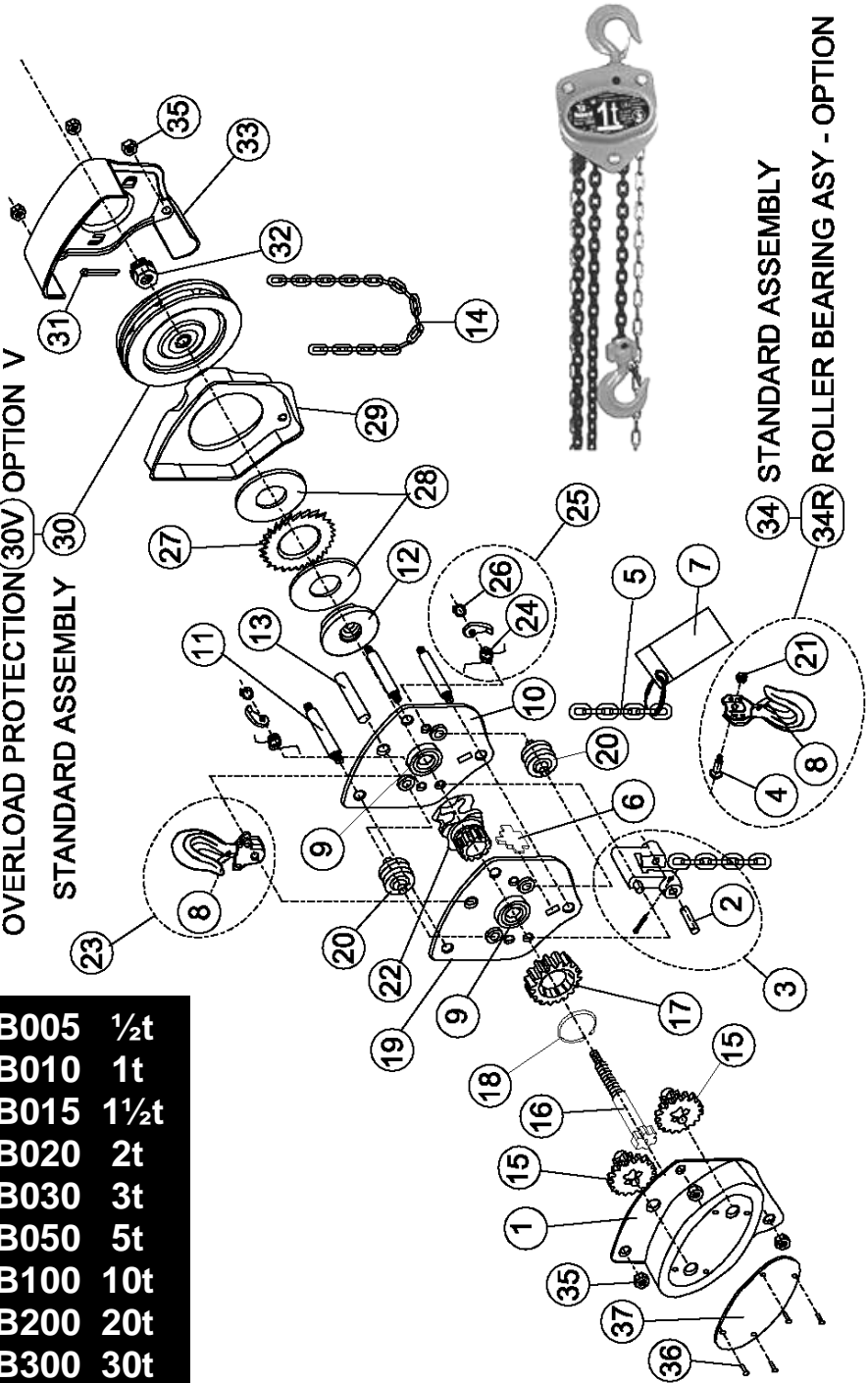
OVERLOAD PROTECTION (30V) OPTION V

STANDARD ASSEMBLY

34 STANDARD ASSEMBLY

34R ROLLER BEARING ASY - OPTION R

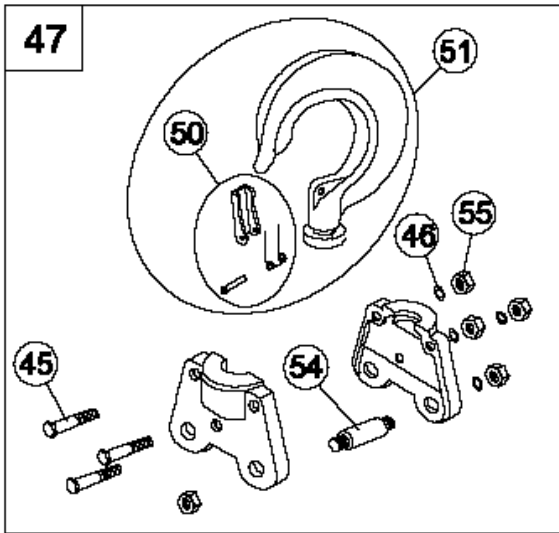
CB005	1/2t
CB010	1t
CB015	1 1/2t
CB020	2t
CB030	3t
CB050	5t
CB100	10t
CB200	20t
CB300	30t



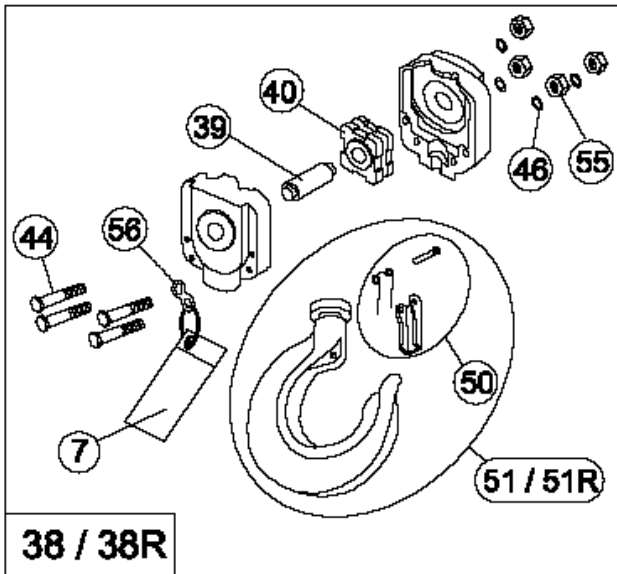
#	CB005 (1/2t)	CB010 (1t)	CB015 (1.5t)	CB030 (3t)	CB020 (2t)	CB050, 100, 200 & 300 (5t) (10t) (20t) (30t)
1	P-CB005-1	P-CB010-1	P-CB015-1		P-CB020-1	P-CB050-1
2	P-CB005-2	P-CB010-2	P-CB015-2		P-CB020-2	P-CB050-2
3	P-CB005-3		P-CB015-3			P-CB050-3
4	P-CB005-4	P-CB010-4	P-CB020-4		P-CB020-4	
5	C6X18B or Z		C8X24B or Z			C10X30B or Z
6	P-CB005-6		P-CB015-6			P-CB050-6
*7	P-WARN-M					
*8	P-CB005-8	P-CB010-8	P-CB015-8		P-CB020-8	
*9	P-CB005-9		P-CB015-9			P-CB050-9
10	P-CB005-10	P-CB010-10	P-CB015-10		P-CB020-10	P-CB050-10
11	P-CB005-11	P-CB010-11	P-CB015-11		P-CB020-11	P-CB050-11
12	P-CB005-12	P-CB010-12	P-CB015-12			P-CB050-12
13	P-CB005-13		P-CB015-13			P-CB050-13
14	C5X25Z					
15	P-CB005-15	P-CB010-15	P-CB015-15		P-CB020-15	P-CB050-15
16	P-CB005-16	P-CB010-16	P-CB015-16			P-CB050-16
17	P-CB005-17	P-CB010-17	P-CB015-17		P-CB020-17	P-CB050-17
18	P-CB005-18	P-28MM RING EXT	P-34MM RING EXT			P-45 MM RING EXT
19	P-CB005-19A	P-CB010-19	P-CB015-19		P-CB020-19	P-CB050-19
20	P-CB005-20		P-CB015-20			P-CB050-20
21	P-M6 NUT LOCK		P-M8 NUT LOCK		P-M8 NUT LOCK	
22	P-CB005-22	P-LB008-6	P-LB015-6		P-CB020-22	P-CB050-22
*23	P-CB005-23	P-CB010-23	P-CB015-23		P-CB020-23	
24	P-CB005-24		P-CB015-24			P-CB050-24
*25	P-CB005-25K		P-CB015-25K			
26	P-CB005-26		P-CB015-26			P-CB050-26
27	P-CB005-27	P-CB010-27	P-CB015-27			P-CB050-27
*28	P-CB005-28	P-CB010-28	P-CB015-28			P-CB050-28
29	P-CB005-29	P-CB010-29	P-CB015-29		P-CB020-29	P-CB050-29
30	P-CB005-30	P-CB010-30	P-CB015-30		P-CB020-30	P-CB050-30
30V	P-CB005-30V	P-CB010-30V	P-CB015-30V		P-CB020-30V	5t = P-CB050-30V 10t = P-CB100-30V 20&30t = P-CB300-30V
31	M3.2X28 COTTER					
32	P-M10 NUT CASTLE-9		P-M12 NUT CASTLE-12			
33	P-CB005-33	P-CB010-33	P-CB015-33		P-CB020-33	P-CB050-33
*34	P-CB005-34	P-CB010-34	P-CB015-34		P-CB020-34	
*34R	P-CB005-34R	P-CB010-34R	P-CB015-34R		P-CB020-34R	
35	P-M8 NUT LOCK		P-M10 NUT LOCK			P-M12 NUT LOCK
36	P-M2.5X6 SCREW DRIVE					
37	P-NPL-CB005	P-NPL-CB010	P-NPL-CB015	P-NPL-CB030	P-NPL-CB020	

(NS) Not Sold, Standard Hardware Item

\* Recomendado, Recomendé, Recomendado

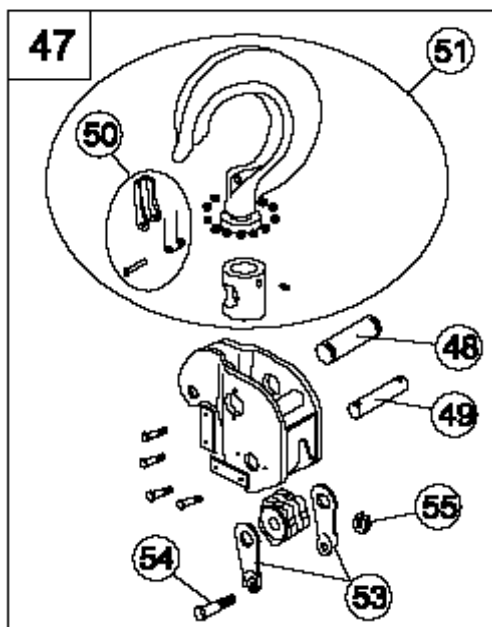


**3t CB030**  
**5t CB050**

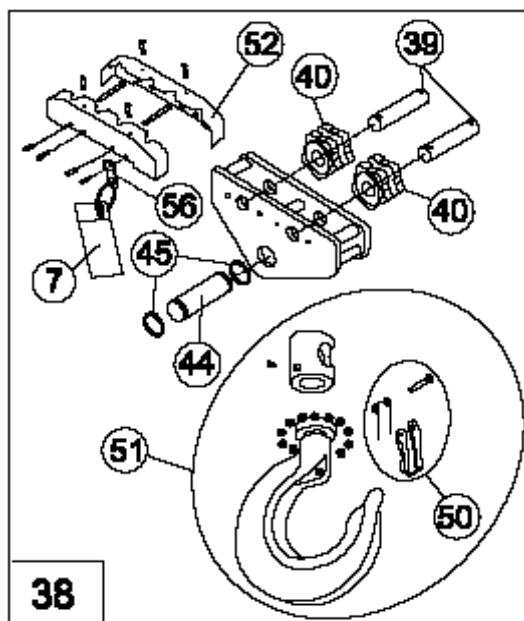


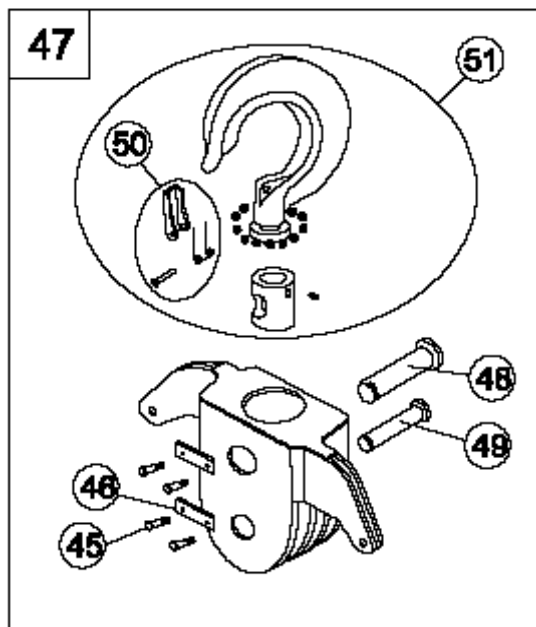
**38 / 38R**

**51 = Standard Hook Assembly**  
**38 = Standard Block Assembly**  
**51R = Roller Brg Bottom Hook Asy.**  
**38R = Roller Brg Block Asy.**

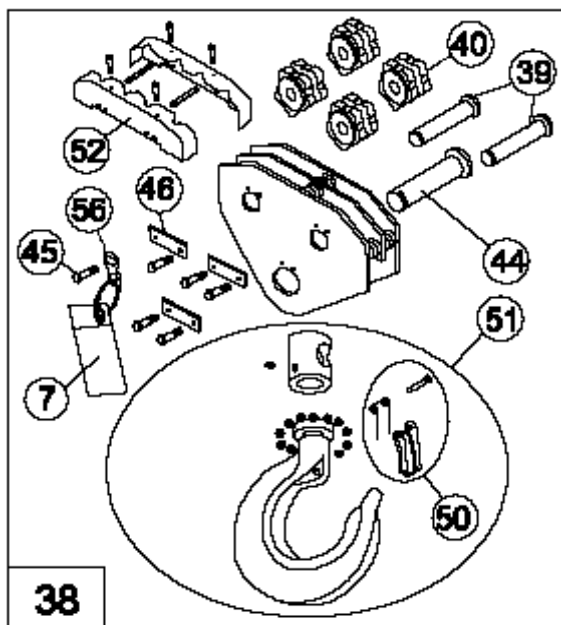


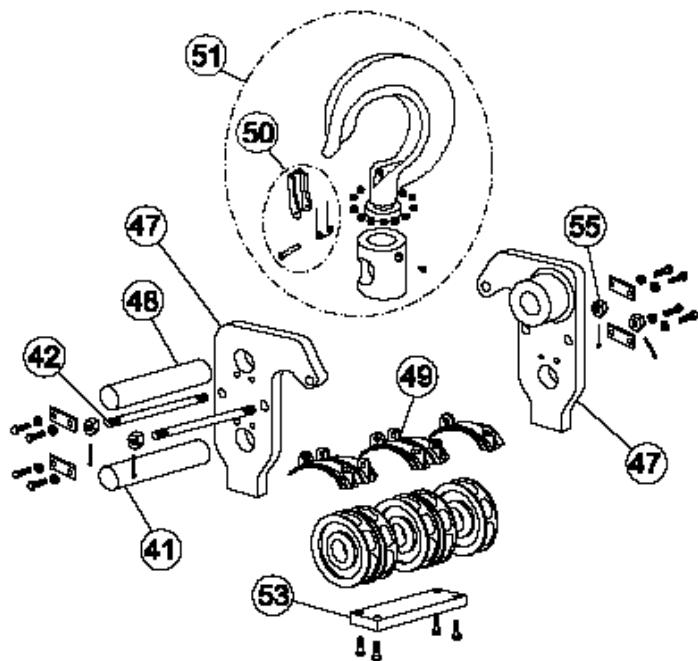
## 10t CB100



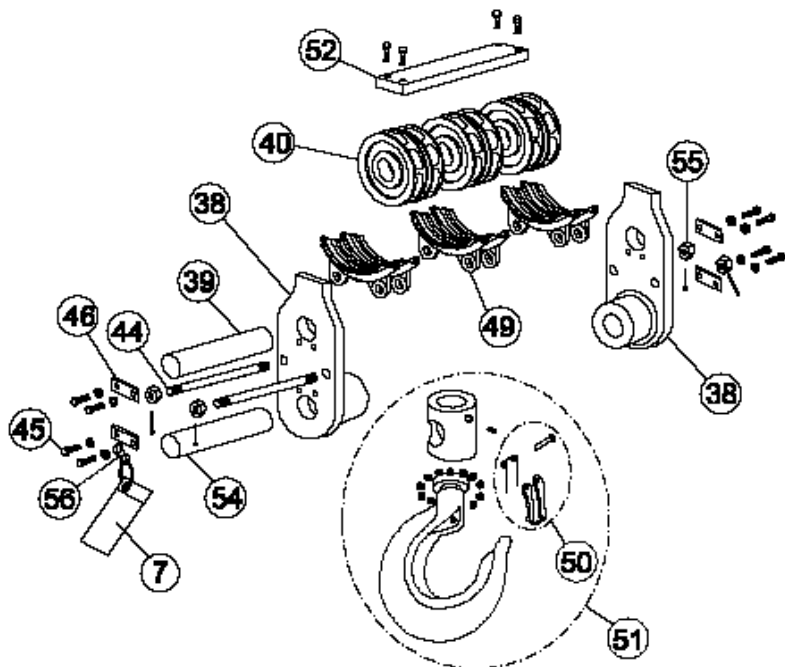


## 20t CB200





### 30t CB300



#	CB030 (3t)	CB050 (5t)	CB100 (10t)	CB200 (20t)	CB300 (30t)
37	P-NPL-CB030	P-NPL-CB050	P-NPL-CB100	P-NPL-CB200	P-NPL-CB300
38	P-CB030-38K	P-CB050-38K	P-CB100-38K	P-CB200-38K	P-CB300-38
38B	P-CB030-38KB	P-CB050-38KB			
39	P-CB030-39	P-CB050-39	P-CB100-39	P-CB200-39	P-CB300-39
40	P-CB030-40	P-CB050-40	P-CB100-40	P-CB200-40	P-CB300-40
41					P-CB300-41
42					P-CB300-42
44	P-CB030-44	P-CB050-44	P-CB100-44	P-CB200-44	P-CB300-44
45	P-CB030-45	P-CB050-45	P-CB100-45	P-CB200-45	P-CB300-45
46	P-CB030-46	P-CB050-46	P-CB100-46	P-CB200-46	P-CB300-46
47	P-CB030-47K	P-CB050-47K	P-CB100-47K	P-CB200-47K	P-CB300-47
48			P-CB100-48	P-CB200-48	P-CB300-48
49			P-CB100-49	P-CB200-49	P-CB300-49
*50	P-CB030-50	P-CB050-50	P-CB100-50	P-CB200-50	
*51	P-CB030-51	P-CB050-51	P-CB100-51	P-CB200-51	P-CB300-51
*51R	P-CB030-51R	P-CB050-51R			
52			P-CB100-52	P-CB200-52	P-CB300-52
53			P-CB100-53		
54			P-CB100-54	P-CB300-54	
55	P-CB030-55	P-CB050-55	P-CB100-55	P-CB300-55	
56	P-CB030-56				

(NS) Not Sold, Standard Hardware Item

\* Recommended, Recomendé, Recomendado

