

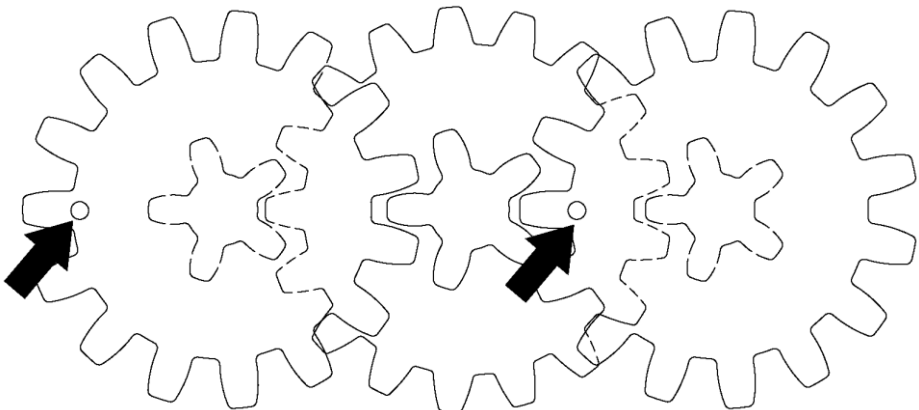


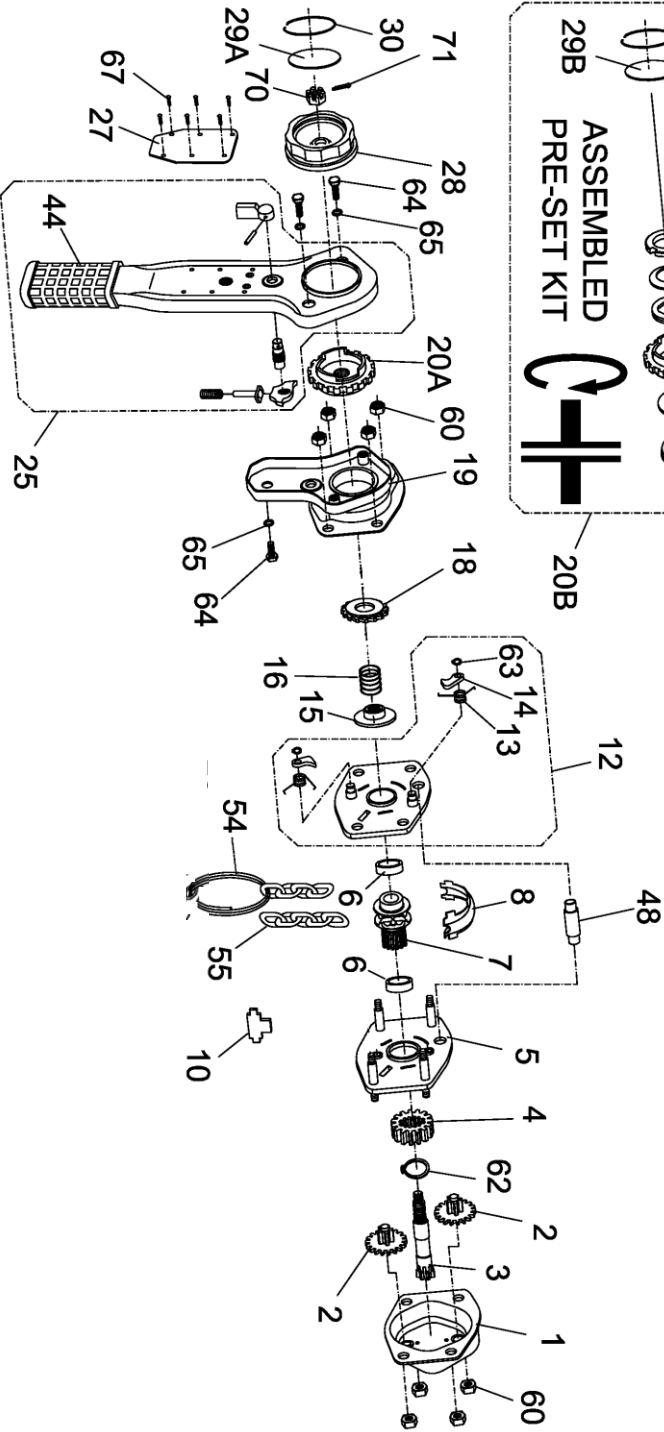
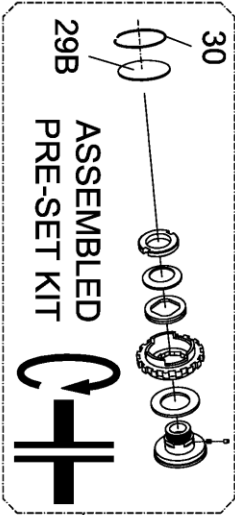
Working Load Limit (WLL)

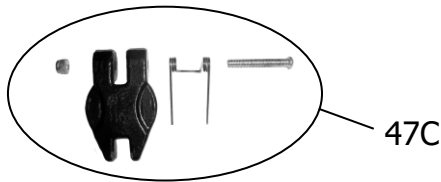
Model	US Ton	Metric Tonne	MIN	MAX
LA008	¾T	0.8t	44 lb (20kg)	1,760 lb (800kg)
LA010	1T	1.0t	44 lb (20kg)	2,200 lb (1000kg)
LA016	1 ¾T	1.6t	70 lb (32kg)	3,530 lb (1600kg)
LA020	2 ¼T	2.0t	88 lb (40kg)	4,500 lb (2000kg)
LA025	2 ¾T	2.5t	110 lb (50kg)	5,500 lb (2500kg)
LA032	3 ½T	3.2t	141 lb (64kg)	7,050 lb (3200kg)
LA063	7T	6.3t	278 lb (126kg)	14,000 lb (6364kg)
LA090	10T	9.0t	396 lb (180kg)	20,000 lb (9091kg)



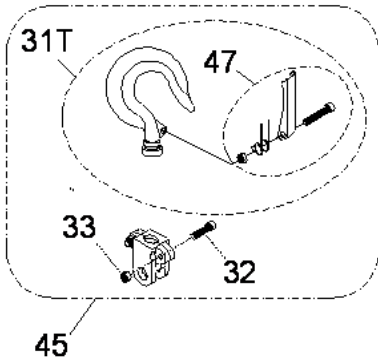
Gear Timing



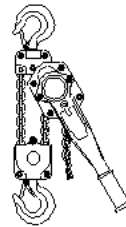
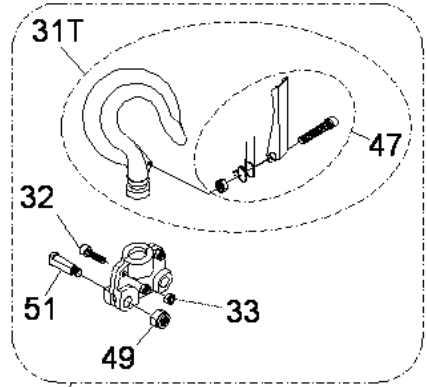




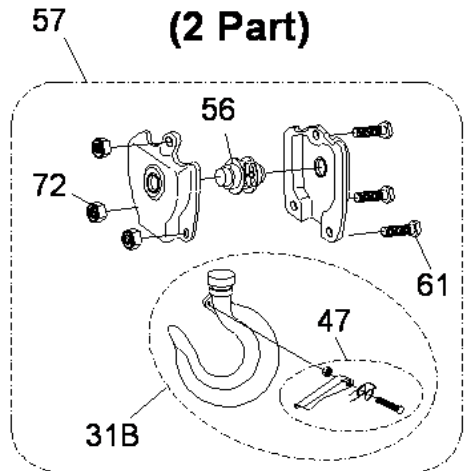
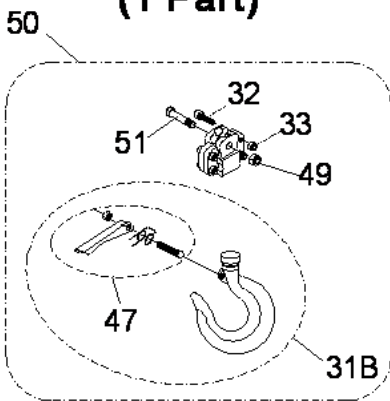
Cast Latch Kit for hoist with
Serial # \geq 08CXXXX-09

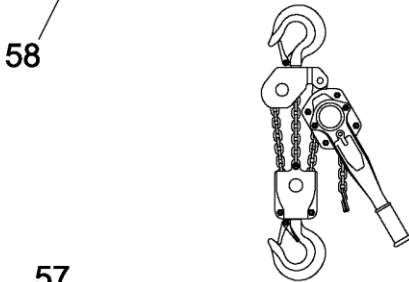
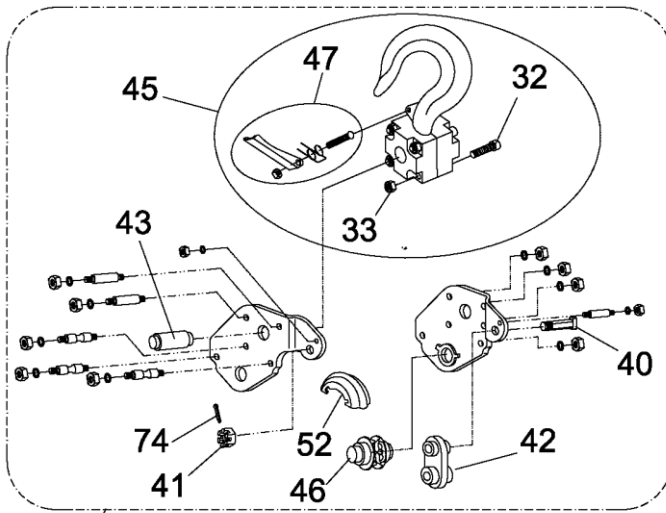


(1 Part)

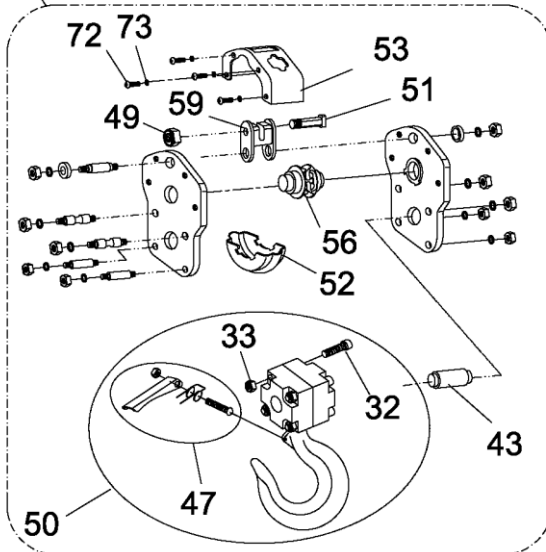


(2 Part)





57
(3 Part)



#	LA008 (1 Part)	LA010 (1 Part)	LA016 (1 Part)	LA020 (1 Part)	LA025 (1 Part)
1	P-LA010-1		P-LA016-1	P-LA025-1	
2	P-LA010-2		P-L015-2	P-LA025-2	
3	P-LA010-3		P-LA016-3	P-LA025-3	
4	P-LA010-4		P-L015-4	P-LA025-4	
5	P-LA010-5		P-L015-5	P-LA020-5	P-LA025-5
*6	P-L008-6		P-L015-6	P-LA025-6	
7	P-L008-7		P-L015-7	P-LA020-7	P-LA025-7
8	P-L008-8		P-L015-8	P-LA020-8	P-LA025-8
10	P-L008-10		P-L015-10	P-LA025-10	
12	P-L008-12		P-L015-12	P-LA020-12	P-LA025-12
*13	P-L008-13		P-L015-13		
14	P-L008-14		P-L015-14		
15	S# 06Cxxxx-19 and after	P-L008-15A	P-L015-15A	P-LA025-15A	
15	Before Serial # 06Cxxxx-19	P-L008-15	P-L015-15	P-LA025-15	
16	P-L015-16			P-L030-16	
18	P-L008-17/18		P-L015-17/18	P-L030-17/18	
19	P-LA008-19		P-LA016-19	P-LA025-19	
20A	P-LA010-20A		P-LA016-20A	P-LA032-20A	
20B	P-LA008-20B	P-LA010-20B	P-LA016-20B	P-LA020-20B	P-LA025-20B
*25	P-LA008-25-10.5	P-LA008-25	P-LA016-25-14	P-LA025-25-14	
27	P-NPL-LA008A	P-NPL-LA010A	P-NPL-LA016A	P-NPL-LA020A	P-NPL-LA025A
28	P-LA008-28		P-LA016-28		
29A	P-NPL-LA008-29A		P-NPL-LA016-29A	P-NPL-LA032-29A	
29B	P-NPL-LA008-29B		P-NPL-LA016-29B	P-NPL-LA032-29B	
*30	P-62MM RING INT		P-70MM RING INT	P-74MM RING INT	
*31T	P-LA008-31-47C		P-LA016-31-47C	P-LA020-31-47C	P-LA025-31-47C
*31B	P-LA010-31-47C		P-LA016-31-47C	P-LA020-31-47C	P-LA025-31-47C
32	P-M5X18 CSKHD		P-M6X25 CSKHD	P-M8X25 CSKHD	
33	P-M5 NUT LOCK		P-M6 NUT LOCK	P-M8 NUT LOCK	
*44	P-LA008-44		P-LA016-44		
*45	P-LA008-45C	P-LA010-45C	P-LA016-45C	P-LA020-45C	P-LA025-45C
*47	P-LA008-47	P-LA010-47	P-LA016-47	P-LA020-47	P-LA025-47
*47 C	P-LA008-47C	P-LA010-47C	P-LA016-47C	P-LA020-47C	P-LA025-47C
48	P-L008-48		P-L015-48	P-LA025-48	
49	P-M8 NUT LOCK			P-M12 NUT LOCK	
*50	P-LA008-50C	P-LA010-50C	P-LA016-50C	P-LA020-50C	P-LA025-50C
51	P-L008-51A		P-LA016-51A	P-L020-51A	P-LA025-51
54	P-L008-54		P-L015-54		
55	C6X18Z		C7X21Z	C8X24Z	C9X27Z
60	P-M8 NUT LOCK		P-M10 NUT LOCK	P-M12 NUT LOCK	
62	P-26MM RING EXT		P-30MM RING EXT	P-38MM RING EXT	
*63	P-8MM RING EXT		P-9MM RING EXT		
64	P-M6X10 HEXHD		P-M8X14 HEXHD		
65	P-M6 WASHER LOCK		P-M8 WASHER LOCK		
67	P-M2.5X6 SCREW DRIVE				
70	P-M10 NUT CASTLE-10			P-M12 NUT CASTLE-12	
71	P-M2.5X25 COTTER				

* 5ecommended, Recomendé, Recomendado

#	LA032 (1 Part)	LA063 (2 Part)	LA090 (3 Part)
1		P-LA032-1	
2		P-L030-2	
3		P-LA030-3	
4		P-L030-4	
5		P-LA032-5	
*6		P-L030-6	
7		P-LA032-7	
8		P-LA032-8	
10		P-L030-10	
12		P-LA032-12	
*13		P-L015-13	
14		P-L015-14	
15	S#, 06Cxxxx-19 and after	P-L030-15A	
15	Before Serial #, 06Cxxxx-19	P-L030-15	
16		P-L030-16	
18		P-L030-17/18	
19		P-LA032-19	
20A		P-LA032-20A	
20B		P-LA032-20B	
*25		P-LA032-25	
27	P-NPL-LA032A	P-NPL-LA063A	P-NPL-LA090A
28		P-LA032-28	
29A		P-NPL-LA032-29A	
29B		P-NPL-LA032-29B	
*30		P-74MM RING INT	
*31T		P-LA063-31T-47C	
*31B	P-LA032-31-47C	P-LA063-31B-47C	
32		P-M8X25 CSKHD	P-M8X45 CSKHD
33		P-M8 NUT LOCK	
40			P-L090-40
41			P-M16 NUT CASTLE
42			P-L090-42
43			P-L090-43
*44		P-LA016-44	
*45	P-LA032-45C	P-LA063-45C	P-LA090-45
46			P-LA090-46
*47	P-LA032-47	P-LA063-47	P-LA090-47
*47C	P-LA032-47C	P-LA063-47C	
48		P-LA032-48	
49		P-M12 NUT LOCK	
*50	P-LA032-50C		P-LA090-50
51	P-L030-51	P-L060-51	P-L090-51
52			P-L090-52
53			P-L090-53
54		P-L015-54	
55		C10X28Z	
56		P-LA063-56	P-LA090-56
57		P-LA063-57	P-LA090-57
58			P-LA090-58

*	Recommended, Recomendé, Recomendado
---	-------------------------------------

#	LA032 (1 Part)	LA063 (2 Part)	LA090 (3 Part)
59			P-L090-59
60		P-M12 NUT LOCK	
61		P-M10X25 HEXHD	
62		P-42MM RING EXT	
*63		P-9MM RING EXT	
64		P-M8X14 HEXHD	
65		P-M8 WASHER LOCK	
67		P-M2.5X6 SCREW DRIVE	
70		P-M12 NUT CASTLE-12	
71		P-M2.5X25 COTTER	
72		P-M10 NUT LOCK	P-M5X10 RNDHD
73			P-M5 WASHER LOCK
74			P-M4X28 COTTER

*

Recommended, Recomendé, Recomendado