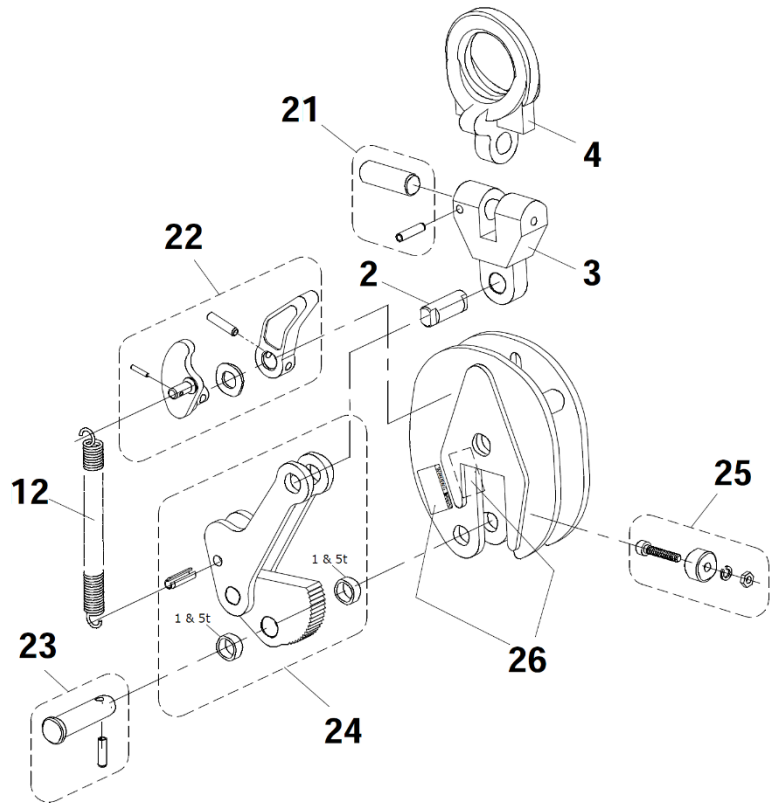
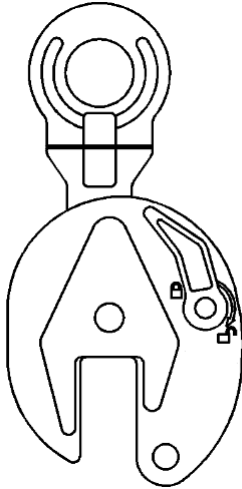
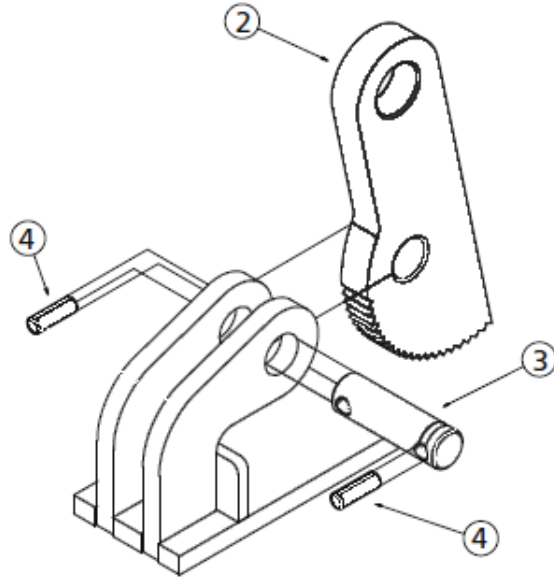
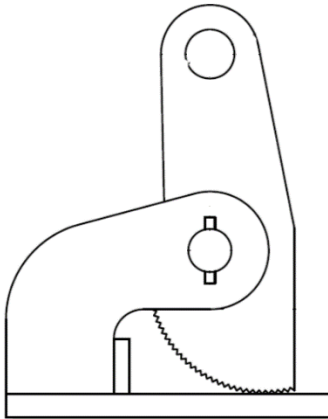




Parts List, Plate Lifting Clamps PCUA Series & PCH Series



#	Short Description	0.5t PCUA005	1.0t PCUA010	2.0t PCUA020	3.0t PCUA030	5.0t PCUA050
2	Pin, swivel	P-PCUA005-2	P-PCUA010-2	P-PCUA020-2	P-PCUA030-2	P-PCUA050-2
3	Swivel	P-PCUA005-3	P-PCUA010-3	P-PCUA020-3	P-PCUA030-3	P-PCUA050-3
4	Eye	P-PCUA005-4	P-PCUA010-4	P-PCUA020-4	P-PCUA030-4	P-PCUA050-4
12	Spring	P-PCUA005-12	P-PCUA010-12	P-PCUA020-12	P-PCUA030-12	P-PCUA050-12
21	Pin kit, eye	P-PCUA005-21	P-PCUA010-21	P-PCUA020-21	P-PCUA030-21	P-PCUA050-21
22	Lever kit	P-PCUA005-22	P-PCUA010-22	P-PCUA020-22	P-PCUA030-22	P-PCUA050-22
23	Pin kit, jaw	P-PCUA005-23	P-PCUA010-23	P-PCUA020-23	P-PCUA030-23	P-PCUA050-23
24	Grip kit, jaw	P-PCUA005-24	P-PCUA010-24	P-PCUA020-24	P-PCUA030-24	P-PCUA050-24
25	Grip kit, button	P-PCUA005-25	P-PCUA010-25	P-PCUA020-25	P-PCUA030-25	P-PCUA050-25
26	Warning label set	P-WARN-PLC				



#	Short Description	0.5t PCH005	1.0t PCH010	2.0t PCH020	3.0t PCH030	5.0t PCH050
2	Grip Jaw	P-PCH005-2	P-PCH010-2	P-PCH020-2	P-PCH030-2	P-PCH050-2
3	Pin, cam	P-PCH005-3	P-PCH010-3	P-PCH020-3	P-PCH030-3	P-PCH050-3
4	Pin, Retaining	P-PCH005-4	P-PCH010-4	P-PCH020-4	P-PCH030-4	P-PCH050-4
26	Warning label set	P-WARN-PLC				

