

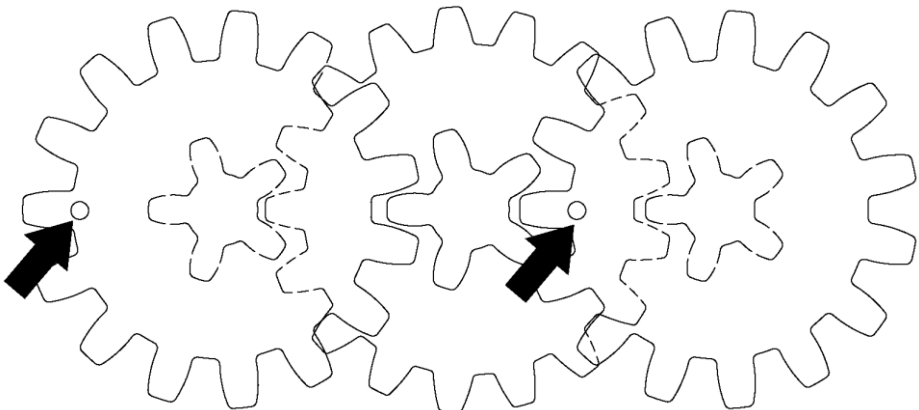


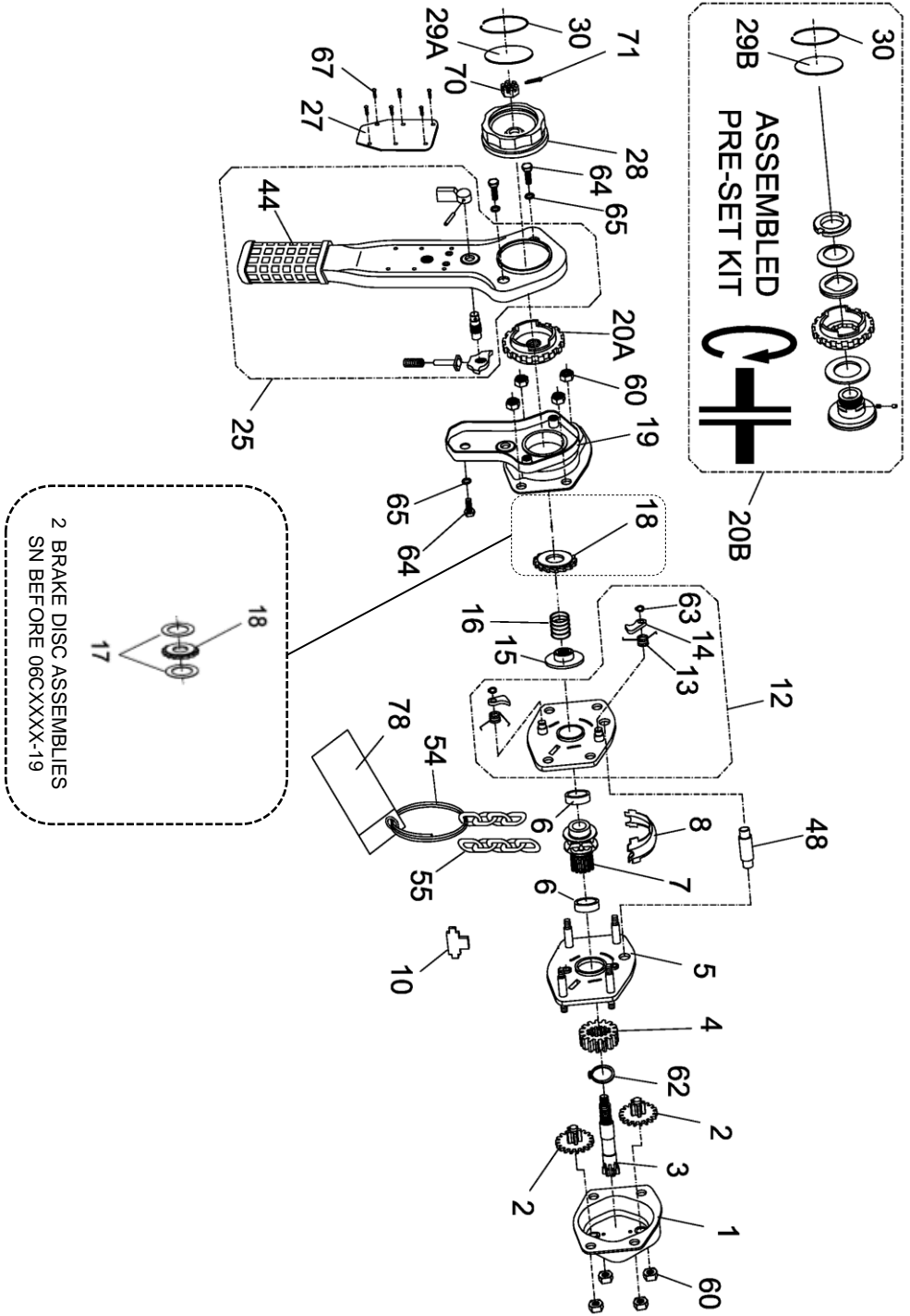
# Working Load Limit (WLL)

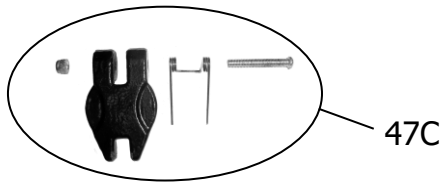
Model	US Ton	Metric Tonne	MIN	MAX
LA008	¾T	0.8t	44 lb (20kg)	1,760 lb (800kg)
LA010	1T	1.0t	44 lb (20kg)	2,200 lb (1000kg)
LA016	1 ¾T	1.6t	70 lb (32kg)	3,530 lb (1600kg)
LA020	2 ¼T	2.0t	88 lb (40kg)	4,500 lb (2000kg)
LA025	2 ¾T	2.5t	110 lb (50kg)	5,500 lb (2500kg)
LA032	3 ½T	3.2t	141 lb (64kg)	7,050 lb (3200kg)
LA063	7T	6.3t	278 lb (126kg)	14,000 lb (6364kg)
LA090	10T	9.0t	396 lb (180kg)	20,000 lb (9091kg)



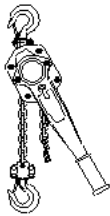
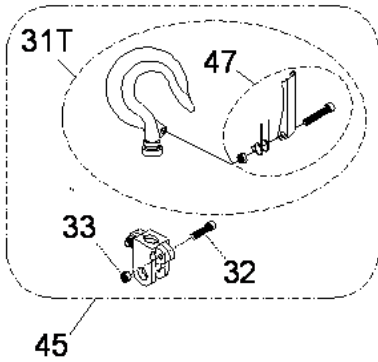
## Gear Timing



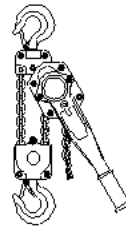
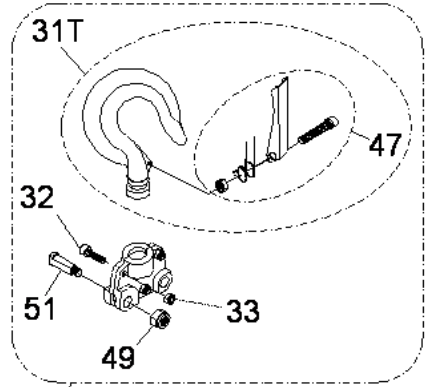




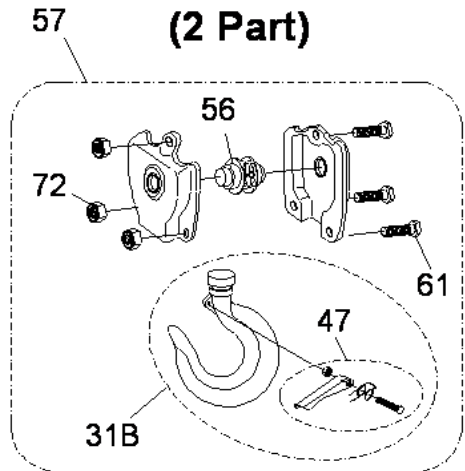
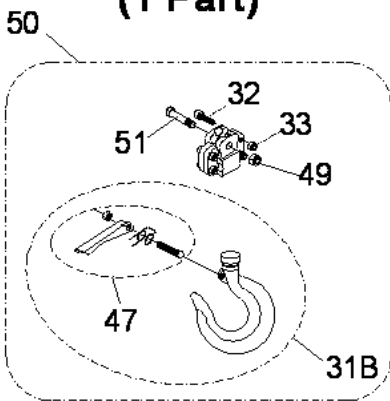
Cast Latch Kit for hoist with  
Serial #  $\geq$  08CXXXX-09

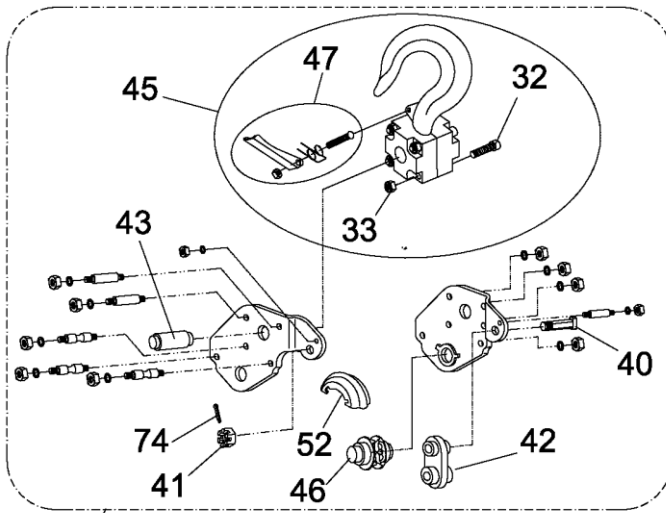


**(1 Part)**

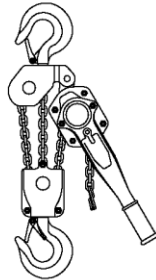


**(2 Part)**



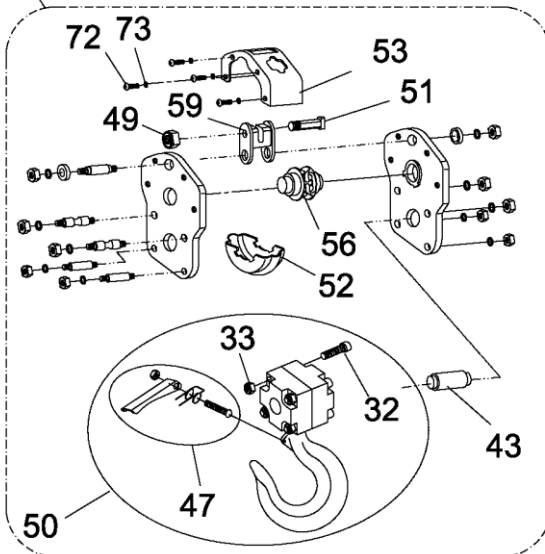


58



57

(3 Part)



#	LA008 (1 Part)	LA010 (1 Part)	LA016 (1 Part)	LA020 (1 Part)	LA025 (1 Part)
1	P-LA010-1		P-LA016-1	P-LA025-1	
2	P-LA010-2		P-L015-2	P-LA025-2	
3	P-LA010-3		P-LA016-3	P-LA025-3	
4	P-LA010-4		P-L015-4	P-LA025-4	
5	P-LA010-5		P-L015-5	P-LA020-5	P-LA025-5
*6	P-L008-6		P-L015-6	P-LA025-6	
7	P-L008-7		P-L015-7	P-LA020-7	P-LA025-7
8	P-L008-8		P-L015-8	P-LA020-8	P-LA025-8
10	P-L008-10		P-L015-10	P-LA025-10	
12	P-L008-12		P-L015-12	P-LA020-12	P-LA025-12
*13	P-L008-13		P-L015-13		
14	P-L008-14		P-L015-14		
15	SN 06CXXXX-19 and after P-L008-15A		P-L015-15A	P-LA025-15A	
	Before SN 06CXXXX-19 P-L008-15		P-L015-15	P-LA025-15	
16	P-L015-16			P-L030-16	
17	Before SN 06CXXXX-19 P-L008-17		P-L015-17	P-L030-17	
18	SN 06CXXXX-19 and after P-L008-17/18		P-L015-17/18	P-L030-17/18	
	Before SN 06CXXXX-19 P-L008-18		P-L015-18	P-L030-18	
19	P-LA008-19		P-LA016-19	P-LA025-19	
20A	P-LA010-20A		P-LA016-20A	P-LA032-20A	
20B	P-LA008-20B	P-LA010-20B	P-LA016-20B	P-LA020-20B	P-LA025-20B
*25	P-LA008-25-10.5	P-LA008-25	P-LA016-25-14	P-LA025-25-14	
27	P-NPL-LA008A	P-NPL-LA010A	P-NPL-LA016A	P-NPL-LA020A	P-NPL-LA025A
28	P-LA008-28			P-LA016-28	
29A	P-NPL-LA008-29A		P-NPL-LA016-29A	P-NPL-LA032-29A	
29B	P-NPL-LA008-29B		P-NPL-LA016-29B	P-NPL-LA032-29B	
*30	P-62MM RING INT		P-70MM RING INT	P-74MM RING INT	
*31T	P-LA008-31-47C	P-LA010-31-47C	P-LA016-31-47C	P-LA020-31-47C	P-LA025-31-47C
*31B					
32	P-M5X18 CSKHD		P-M6X25 CSKHD	P-M8X25 CSKHD	
33	P-M5 NUT LOCK		P-M6 NUT LOCK	P-M8 NUT LOCK	
*44	P-LA008-44			P-LA016-44	
*45	P-LA008-45C	P-LA010-45C	P-LA016-45C	P-LA020-45C	P-LA025-45C
*47	P-LA008-47	P-LA010-47	P-LA016-47	P-LA020-47	P-LA025-47
*47 C	P-LA008-47C	P-LA010-47C	P-LA016-47C	P-LA020-47C	P-LA025-47C
48	P-L008-48		P-L015-48	P-LA025-48	
49	P-M8 NUT LOCK			P-M12 NUT LOCK	
*50	P-LA008-50C	P-LA010-50C	P-LA016-50C	P-LA020-50C	P-LA025-50C
51	P-L008-51A		P-LA016-51A	P-L020-51A	P-LA025-51
54	P-L008-54		P-L015-54		
55	C6X18Z		C7X21Z	C8X24Z	C9X27Z
60	P-M8 NUT LOCK		P-M10 NUT LOCK	P-M12 NUT LOCK	
62	P-26MM RING EXT		P-30MM RING EXT	P-38MM RING EXT	
*63	P-8MM RING EXT		P-9MM RING EXT		
64	P-M6X10 HEXHD		P-M8X14 HEXHD		
65	P-M6 WASHER LOCK		P-M8 WASHER LOCK		
67	P-M2.5X6 SCREW DRIVE				
70	P-M10 NUT CASTLE-10			P-M12 NUT CASTLE-12	
71	P-M2.5X25 COTTER				

\* 5ecommended, Recomend , Recomendado

#	LA032 (1 Part)	LA063 (2 Part)	LA090 (3 Part)
1		P-LA032-1	
2		P-L030-2	
3		P-LA030-3	
4		P-L030-4	
5		P-LA032-5	
*6		P-L030-6	
7		P-LA032-7	
8		P-LA032-8	
10		P-L030-10	
12		P-LA032-12	
*13		P-L015-13	
14		P-L015-14	
15	SN 06CXXXX-19 and after	P-L030-15A	
	Before SN 06CXXXX-19	P-L030-15	
16		P-L030-16	
17	Before SN 06CXXXX-19	P-L030-17	
18	SN 06CXXXX-19 and after	P-L030-17/18	
	Before SN 06CXXXX-19	P-L030-18	
19		P-LA032-19	
20A		P-LA032-20A	
20B		P-LA032-20B	
*25		P-LA032-25	
27	P-NPL-LA032A	P-NPL-LA063A	P-NPL-LA090A
28		P-LA032-28	
29A		P-NPL-LA032-29A	
29B		P-NPL-LA032-29B	
*30		P-74MM RING INT	
*31T	P-LA032-31-47C	P-LA063-31T-47C	
*31B		P-LA063-31B-47C	
32	P-M8X25 CSKH D		P-M8X45 CSKH D
33	P-M8 NUT LOCK		
40			P-L090-40
41			P-M16 NUT CASTLE
42			P-L090-42
43			P-L090-43
*44	P-LA016-44		
*45	P-LA032-45C	P-LA063-45C	P-LA090-45
46			P-LA090-46
*47	P-LA032-47	P-LA063-47	P-LA090-47
*47C	P-LA032-47C	P-LA063-47C	
48	P-LA032-48		
49	P-M12 NUT LOCK		
*50	P-LA032-50C		P-LA090-50
51	P-L030-51	P-L060-51	P-L090-51
52			P-L090-52
53			P-L090-53
54	P-L015-54		
55	C10X28Z		
56		P-LA063-56	P-LA090-56
57		P-LA063-57	P-LA090-57
58			P-LA090-58

\*

Recommended, Recomendé, Recomendado

#	LA032 (1 Part)	LA063 (2 Part)	LA090 (3 Part)
59			P-L090-59
60		P-M12 NUT LOCK	
61		P-M10X25 HEXHD	
62		P-42MM RING EXT	
*63		P-9MM RING EXT	
64		P-M8X14 HEXHD	
65		P-M8 WASHER LOCK	
67		P-M2.5X6 SCREW DRIVE	
70		P-M12 NUT CASTLE-12	
71		P-M2.5X25 COTTER	
72		P-M10 NUT LOCK	P-M5X10 RNDHD
73			P-M5 WASHER LOCK
74			P-M4X28 COTTER

\*

Recommended, Recomendé, Recomendado