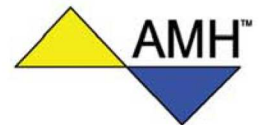


CABLE PULLER

1000 LBS - 3400 LBS Capacity



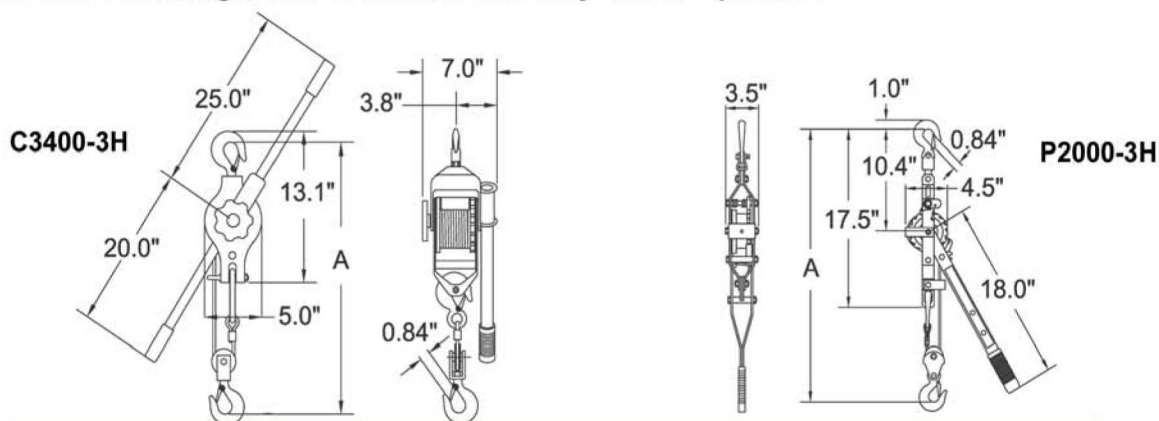
FEATURES

- 3 Hook design allows 1 or 2 part rigging for a choice of capacity and lift.
- Galvanized aircraft quality wire rope, stainless springs and plated external parts for corrosion resistance.
- C3400 has a lightweight aluminum frame. P2000 has a formed steel frame. Both have a one piece cast aluminum drum.
- C3400 has an overload indicating reversible handle that changes position easily, so pull is always possible in the right direction against the load. The handle on the C3400 bends noticeably when overloaded.
- Safety Latches on alloy steel load hooks.
- "One notch at a time" ratchet and pawl lowering for precise load control.
- Buttress tooth with solid steel drive and holding dog, not laminated plates.
- Spring steel drum shield helps protect and spool cable evenly on drum.
- Meets: ASME/ANSI B30.21, OSHA, and NASA-STD-8719.9 ATEX rated Ex II 3 GD c IIB 54° C X for limited use in Hazardous Environments



OPTIONS

- Models with single line or double line only can be quoted.



SPECIFICATION AND DIMENSIONS (inches and pounds)

| Model | ASME B30.21 (4:1 Design Factor) Working Load Limit @ Falls & Lift | "A" Min. Between Hooks | Av. Pull @ Max. Load | Cable Size (in) | Hook Opening Size w/Latch | Lever Length | Weight |
|----------|---|------------------------|----------------------|-----------------|---------------------------|--------------|--------|
| P2000-3H | WLL 1000 lbs @ 1 falls & 15 ft lift | 21" | 60 lbs | 3/16 | 0.84" | 18" | 10 lbs |
| | WLL 2000 lbs @ 2 falls & 7.5 ft lift | 27.5" | | | | | |
| C3400-3H | WLL 1700 lbs @ 1 falls & 20 ft lift | 17" | 80 lbs | 1/4 | 0.84" | 25" | 16 lbs |
| | WLL 3400 lbs @ 2 falls & 10 ft lift | 22" | | | | | |