

PCUA **CE**
Series

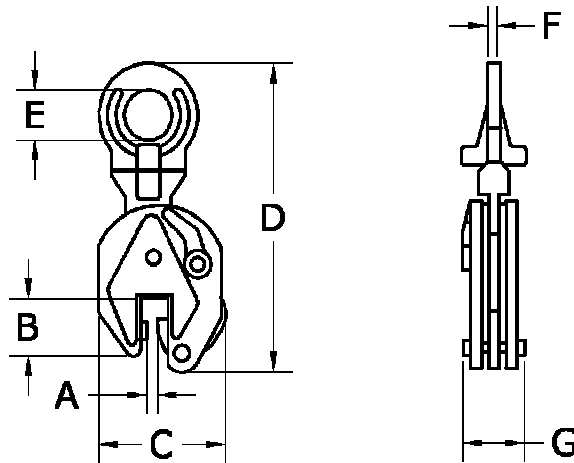
Universal Plate Lifting Clamp

1/2 to 5 Metric tonne capacity



FEATURES

- All steel body for durable strength in a smaller size
- Individually serialized and tested to 2 x WLL. Factory test certification of proof load is included.
- For use with materials having surface hardness < HBC 37
- 180° turning range for easy positioning or transfer of plates
- Lever insures pre-tensioning and release of grip jaws
- Replacement parts kits are available.
- Meets: EU Directives: 2006/42/EC and ASME B30.20



PCUA SERIES SPECIFICATIONS and DIMENSIONS (mm)									
odel#	WLL Metric tonne	Weight (kg.)	Plate Size A	B	C	D	E	F	G
PCUA005	0.5t	2	0-15	43	106	216	30	10	50
PCUA010	1.0t	4.5	0-20	63	145	292	48	12	66
PCUA020	2.0t	7.3	0-25	78	174	369	68	16	76
PCUA030	3.0t	15	0-30	85	207	428	74	20	102
PCUA050	5.0t	21.6	0-50	100	240	481	80	24	110

PCUA SERIES SPECIFICATIONS and DIMENSIONS (inches)									
Model#	WLL Metric tonne	Weight (lbs)	Plate Size A	B	C	D	E	F	G
PCUA005	0.5t	4.4	0-5/8	1.7	4.2	8.5	1.2	0.4	2.0
PCUA010	1.0t	9.9	0-3/4	2.5	5.7	11.5	1.9	0.5	2.6
PCUA020	2.0t	16.1	0-1	3.1	6.9	14.5	2.7	0.6	3.0
PCUA030	3.0t	33.0	0-1 1/8	3.3	8.1	16.9	2.9	0.8	4.0
PCUA050	5.0t	47.5	0-2	3.9	9.4	18.9	3.1	0.9	4.3